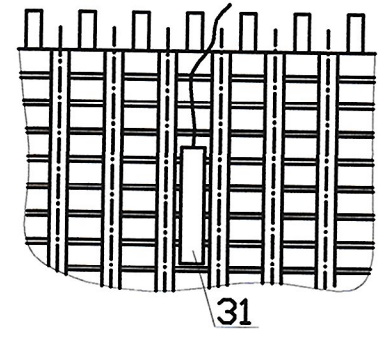


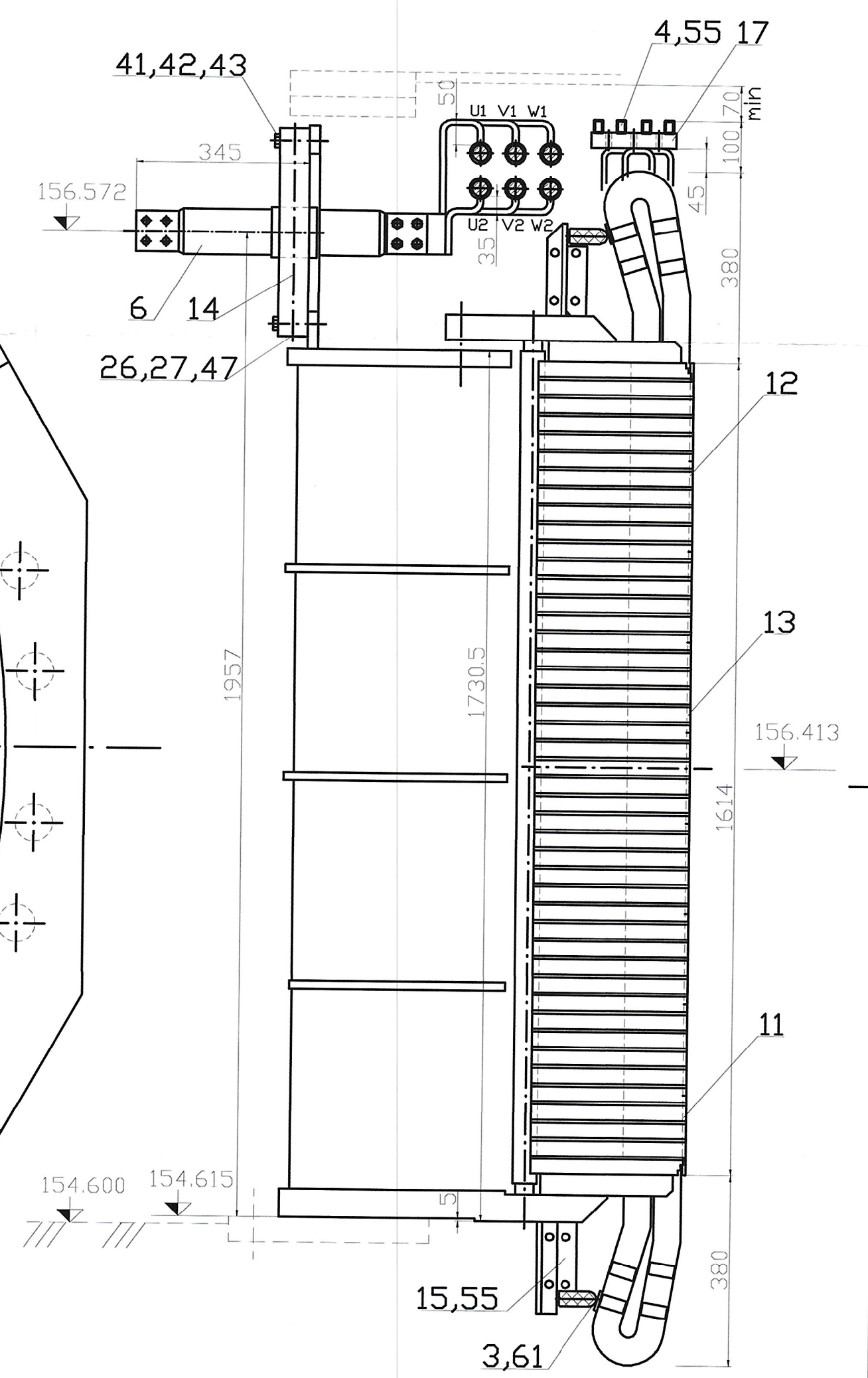
D(1:10)
Flux sensor position



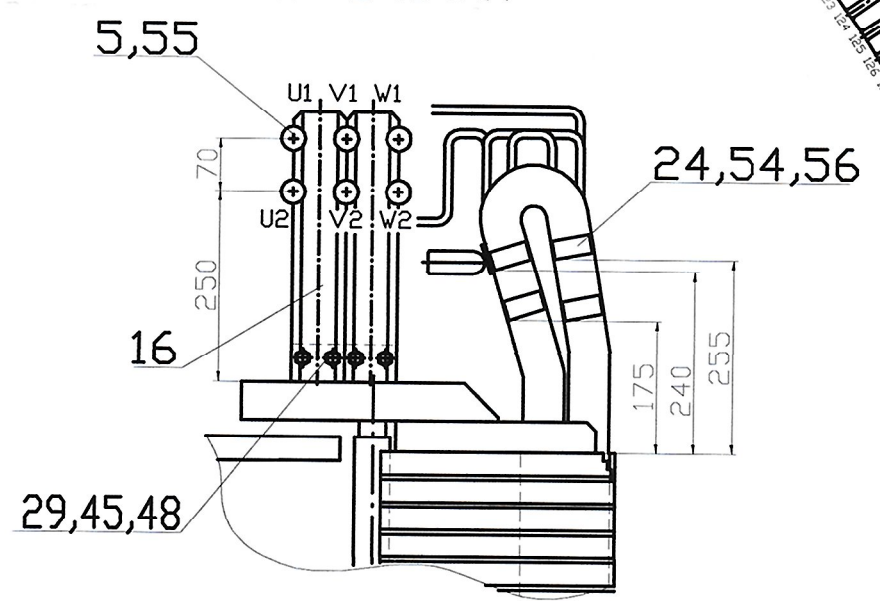
STATOR
top view

Direction of rotation

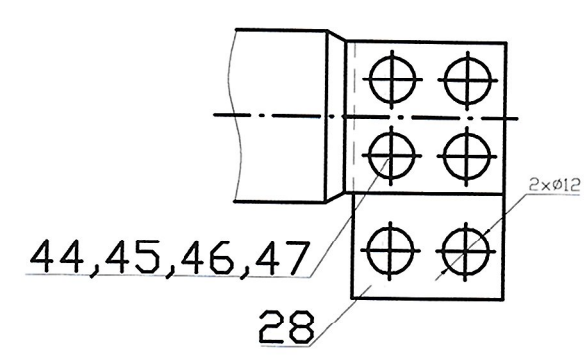
A-A(1:10)



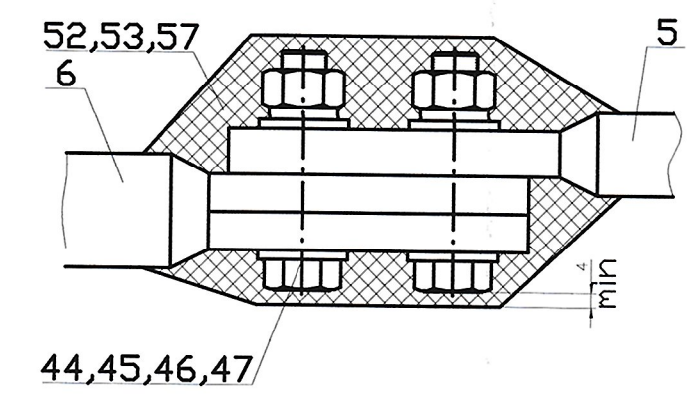
B-B(1:10)



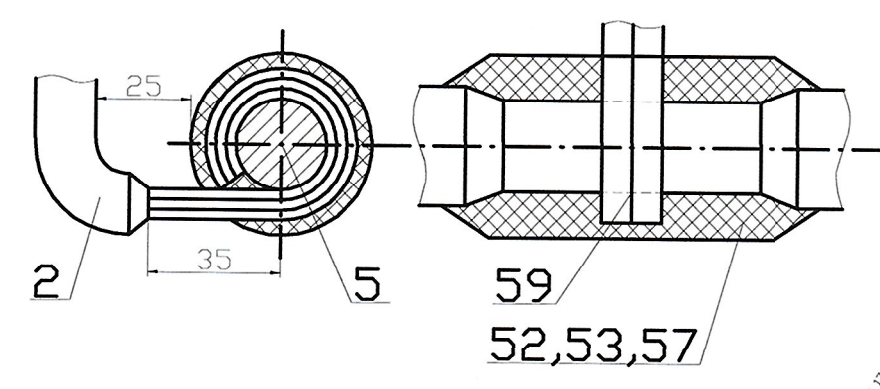
C(1:2)



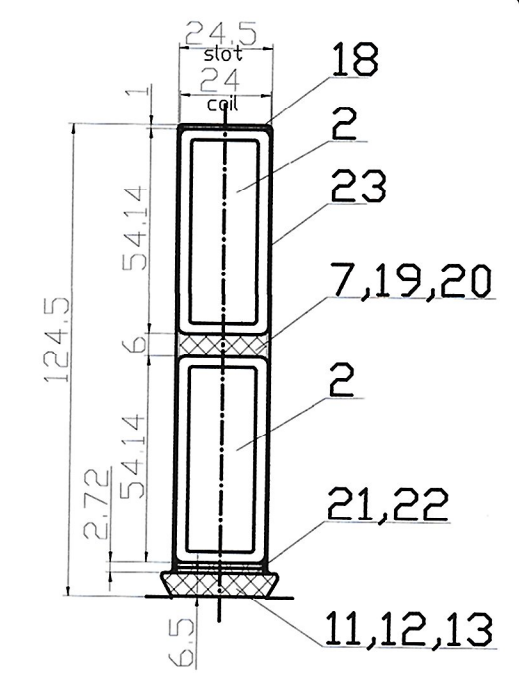
Connection of terminal bars
to the collector rings (1:2)



Connection of coils
to the collector rings (1:2)



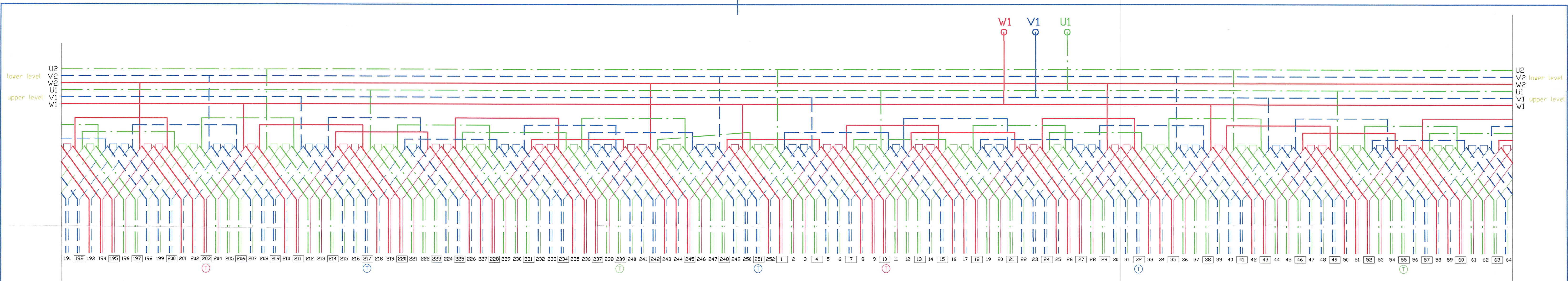
Slot
cross-section
(1:2)



Cor.	No	Doc.	Sign	Date
Drawn	Stiptsov			VI.2020
Checked	Grigorov			VI.2020
T.Cont.				
N.Cont.				
Appr.	Grigorov			VI.2020

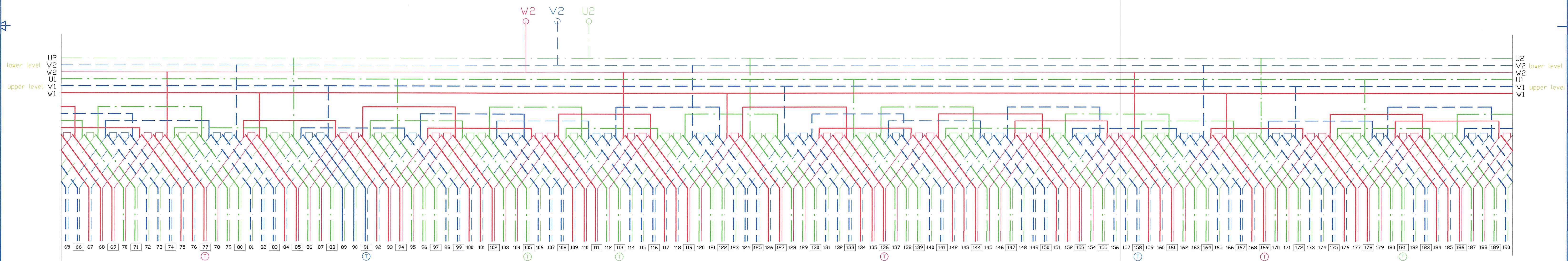
HPP Platanovrissi		Scale	Mass		As Built
		1:20	- kg		
		Page			
		1/2	STATOR		
CERB EAD		24075.50.00			

Имя, No на лист, Подпись и дата / Имя, No на дъял, Подпис и дата / Имя, No на лист, Подпись и дата / Имя, No на дъял, Подпис и дата



Split line I
tooth: 64/65

Split line II
tooth: 190/191

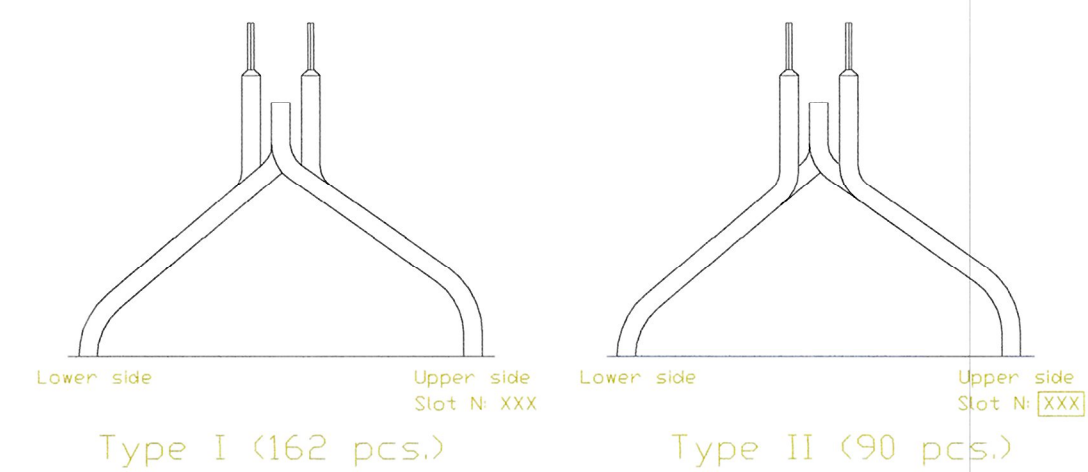


1. Number of slots
2. Number of poles
3. Number of phases
4. Slots per pole per phase
5. Number of parallel paths in winding
6. Coil pitch

Z=252
2p=30
m=3
q=2 4/5
a=6
y=1-8

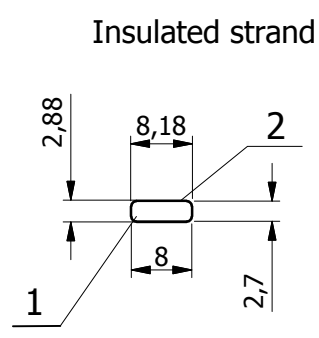
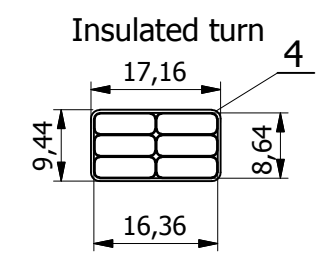
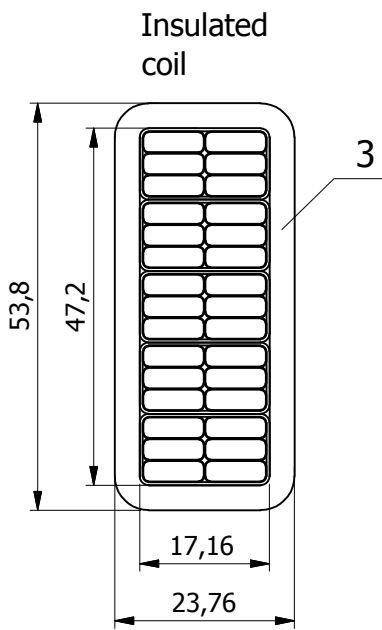
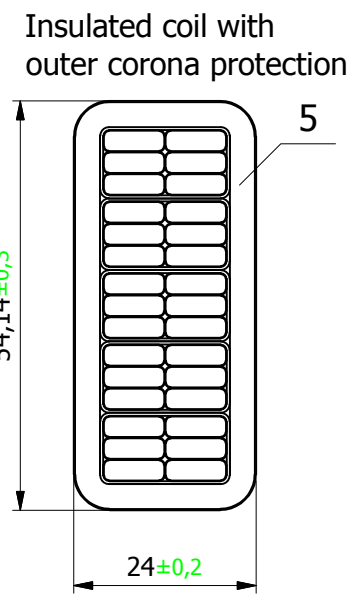
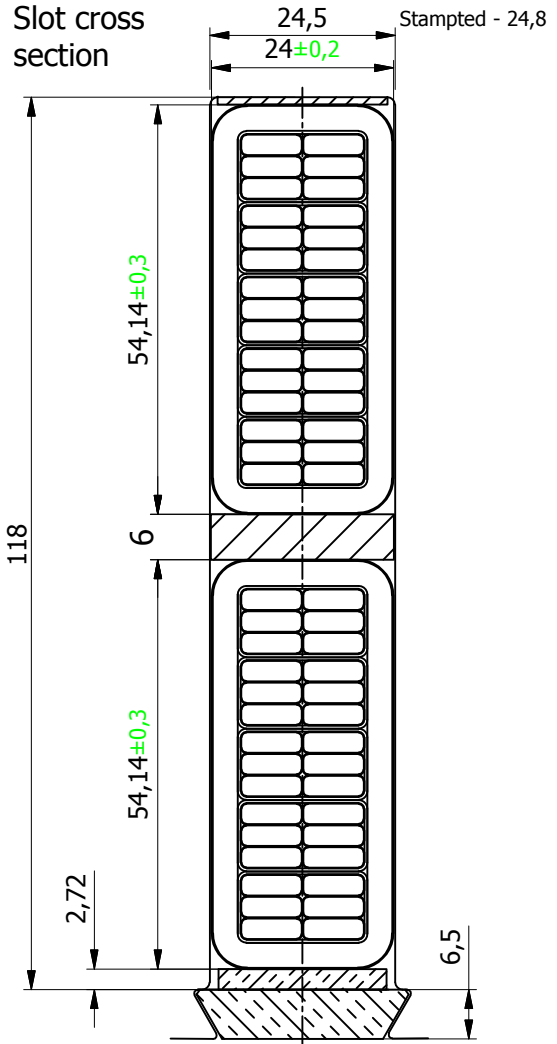
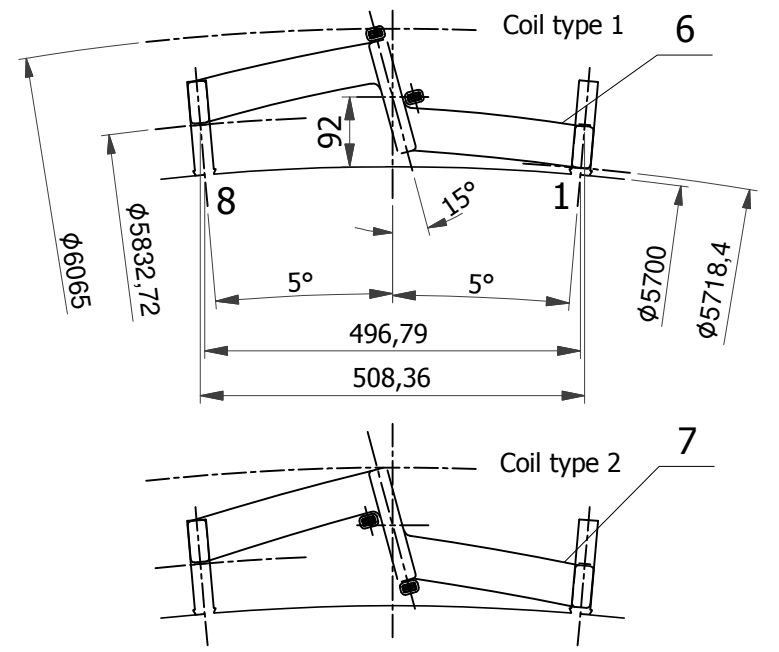
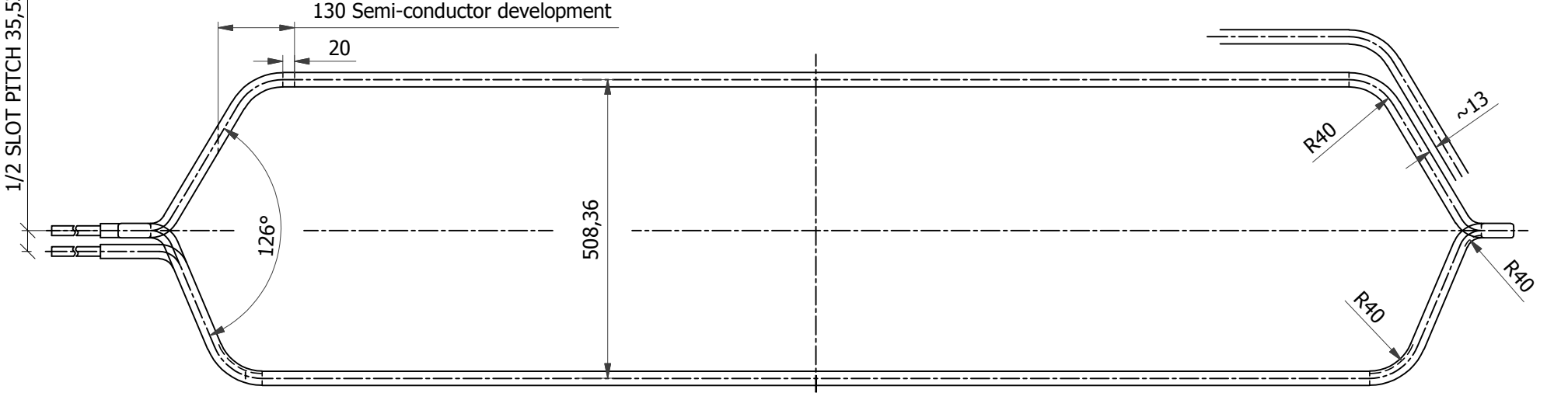
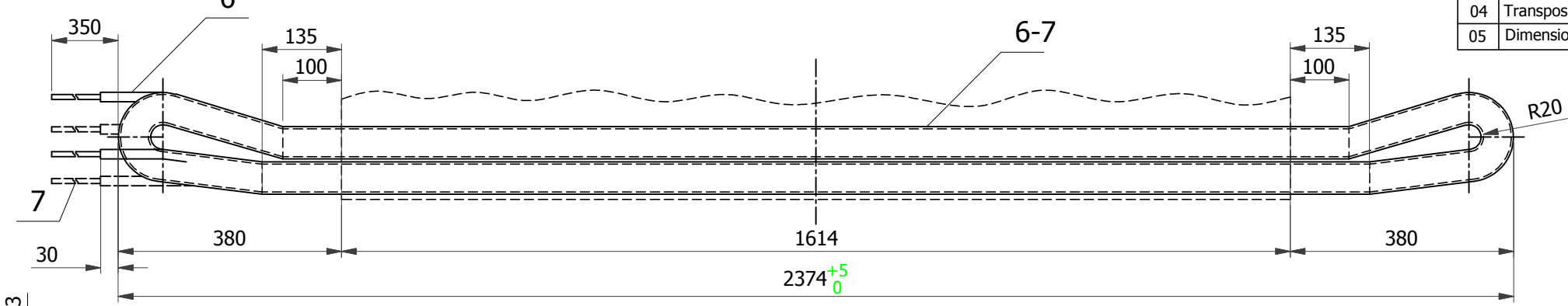
DESIGNATION

- phase U - upper layer
- phase V - upper layer
- phase W - upper layer
- phase U - lower layer
- phase V - lower layer
- phase W - lower layer
- Ⓢ Temperature sensor Pt100



HPP Platanovrissi			
Scale		Mass	As Built
-		- kg	
Page		STATOR WINDING DIAGRAM	
1/1			
CERB EAD		24075.50.00cx	

REV	DESCRIZIONE	DATA	DISEGNATO	VERIFICATO	APPROVATO
01	General update	14/05/2020	P. Conte	A. Russo	I. Rescigno
02	Coil section update	19/05/2020	L. La Rocca	A. Russo	I. Rescigno
03	Slot cross section added	09/06/2020	L. La Rocca	A. Russo	I. Rescigno
04	Transposition deleted	18/06/2020	L. La Rocca	A. Russo	I. Rescigno
05	Dimensions updated	08/07/2020	L. La Rocca	A. Russo	I. Rescigno



CURRENT RATINGS = 2493 A
V = 15,75 kV
N° COILS = 252
SLOT PITCH = 1 ÷ 8
MEDIUM LENGTH COIL ~ 5255 mm
COIL WEIGHT ~ 37 kg

POS	QTA'	DESCRIPTION	MATERIAL
7	90+5	Stator coil type 2	
6	162+8	Stator coil type 1	
5		Outer corona protection	Contafel N20/4
4		Turn insulation	Conductfol 2371
3		Ground insulation	Calmicaglass 0409
2		Strand insulation	Daglas
1		Copper strand	Cu-ETP

PROGETTO/PROJECT: Platanovryssi		DISEGNATO/DESIGNED: P. Conte	
OGGETTO/OBJECT: Stator coil		VERIFICATO/VERIFIED: A. Russo	
NOTE/NOTES: Definitivo		APPROVATO/APPROVED: I. Rescigno	
DATA/DATE: 18/09/2019			
CODICE DISEGNO/DRAWING CODE: 2005030.002		ORDINE DI LAVORO/JOB NO.: 20.05.030	
CLIENTE/CLIENT: 534		FOGLIO/SHEET: 1 / 1	
DOCUMENTO N°/DOCUMENT NO.: .		DI/OF: 1 / 1	
Tolleranze secondo UNI EN 22768 - mk Tolerances according to UNI EN 22768 - mk		REV./REV.: 05	
A termine di legge è rigorosamente vietato riprodurre o comunicare a terzi il contenuto del presente disegno Under the law it is rigorously prohibited to reproduce or to communicate to third party the content of the present drawing		Mod.45 Rev.04	