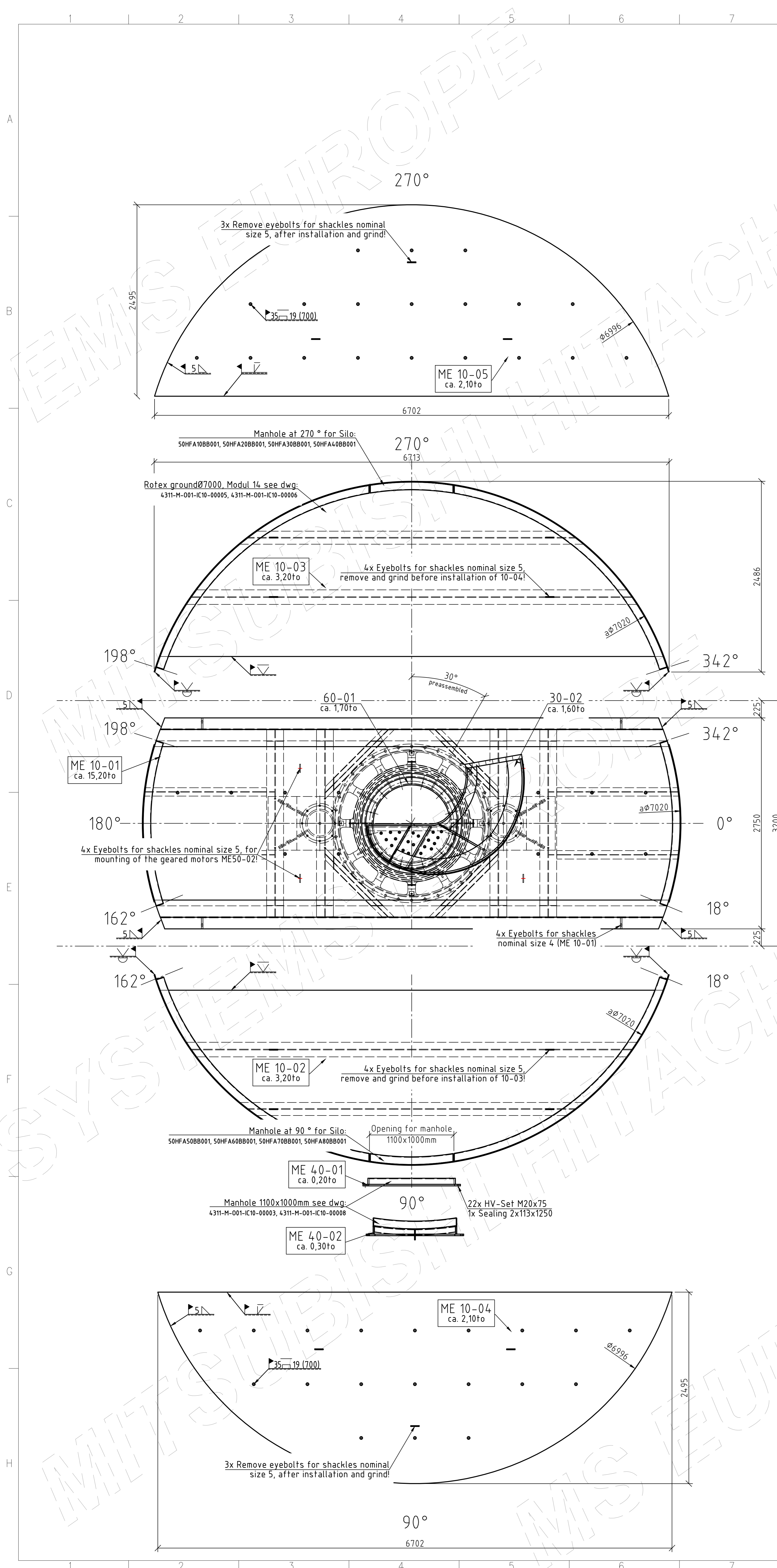
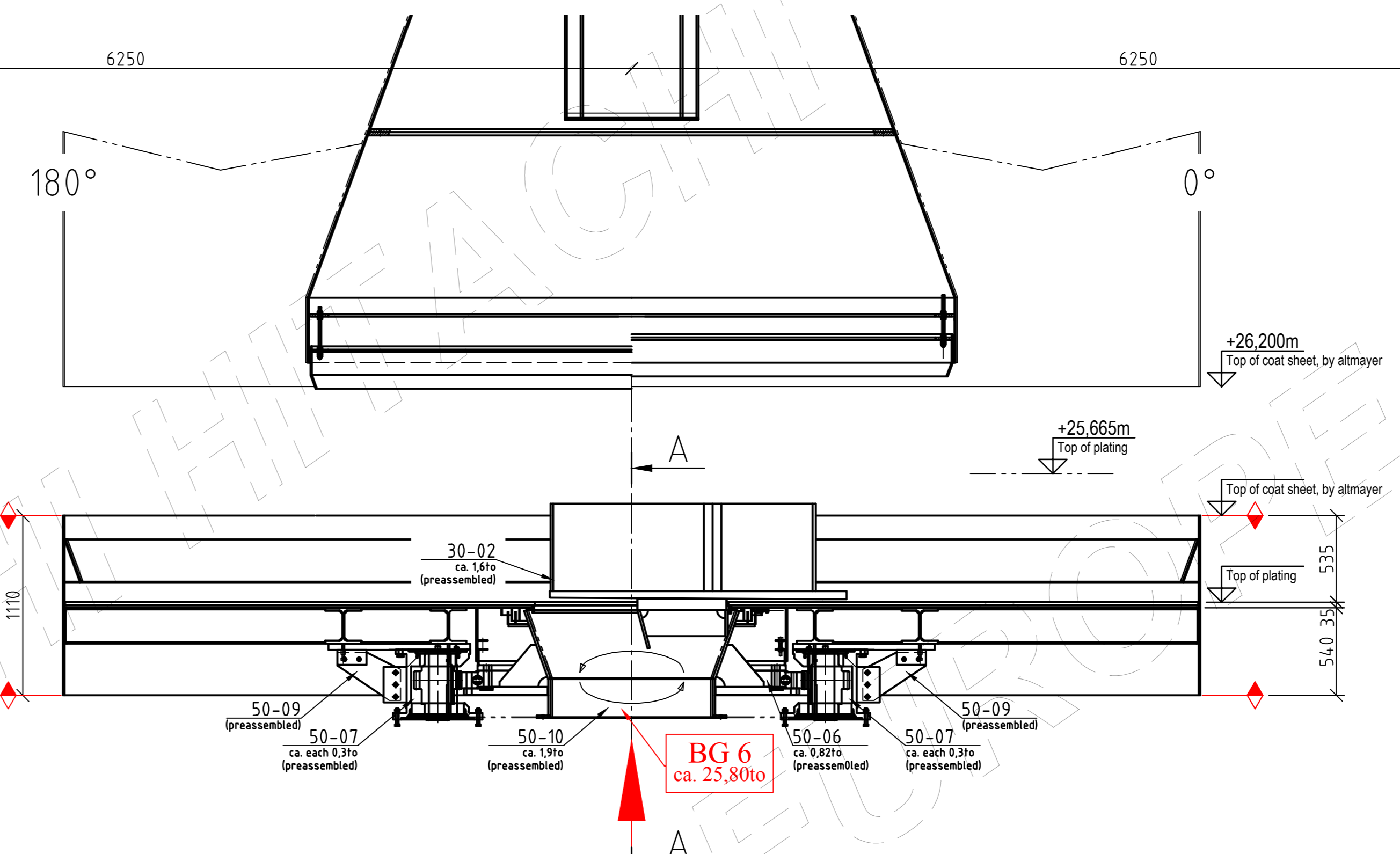


Module (BG)		
Modul	assembly unit [ME]	Weight
BG6	10-01 (50-10, 50-06, 50-07, 50-08, 50-09, 50-03, 50-11, 30-02), 10-02, 10-03, 10-04, 10-05	25,80 to

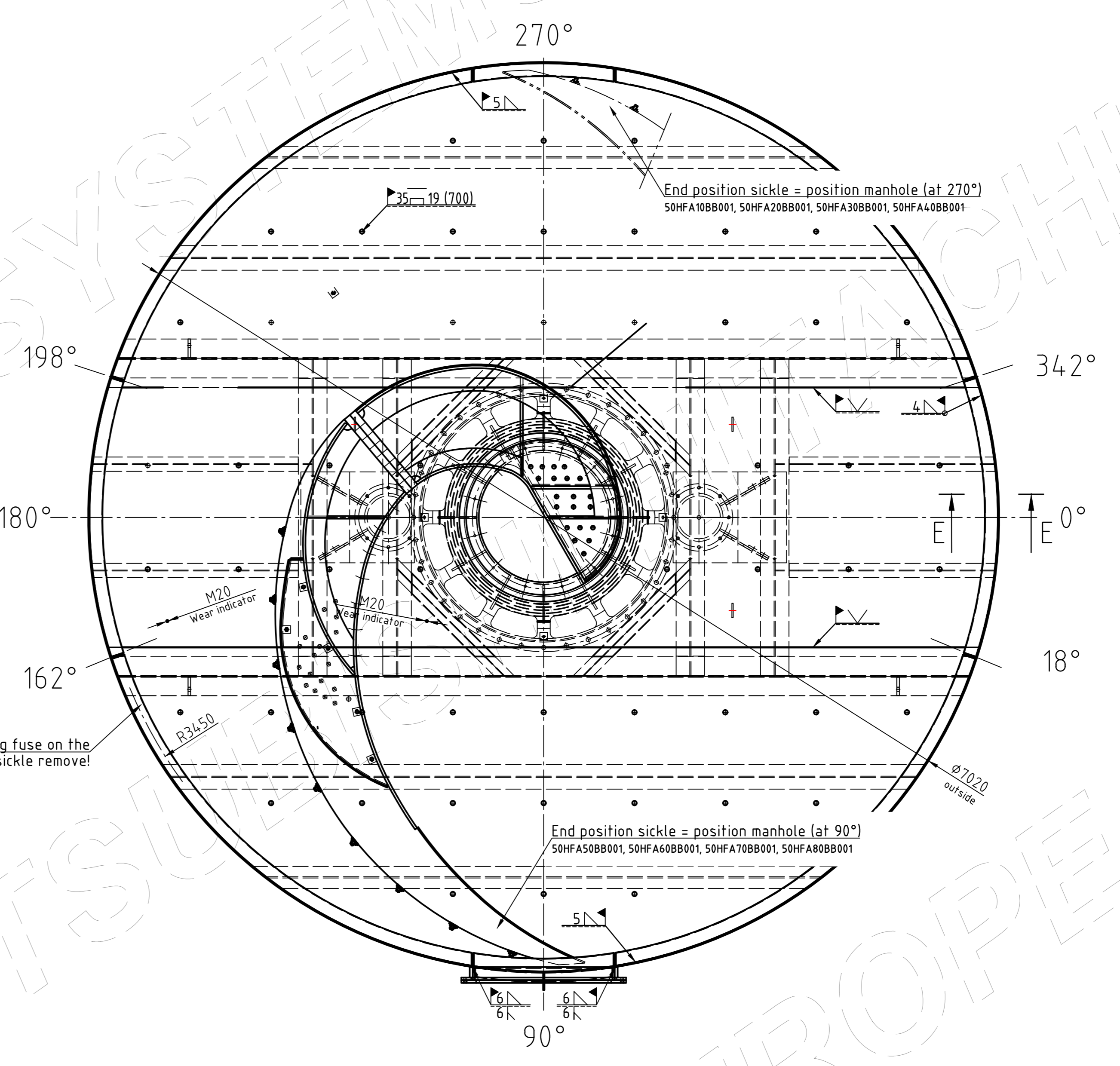
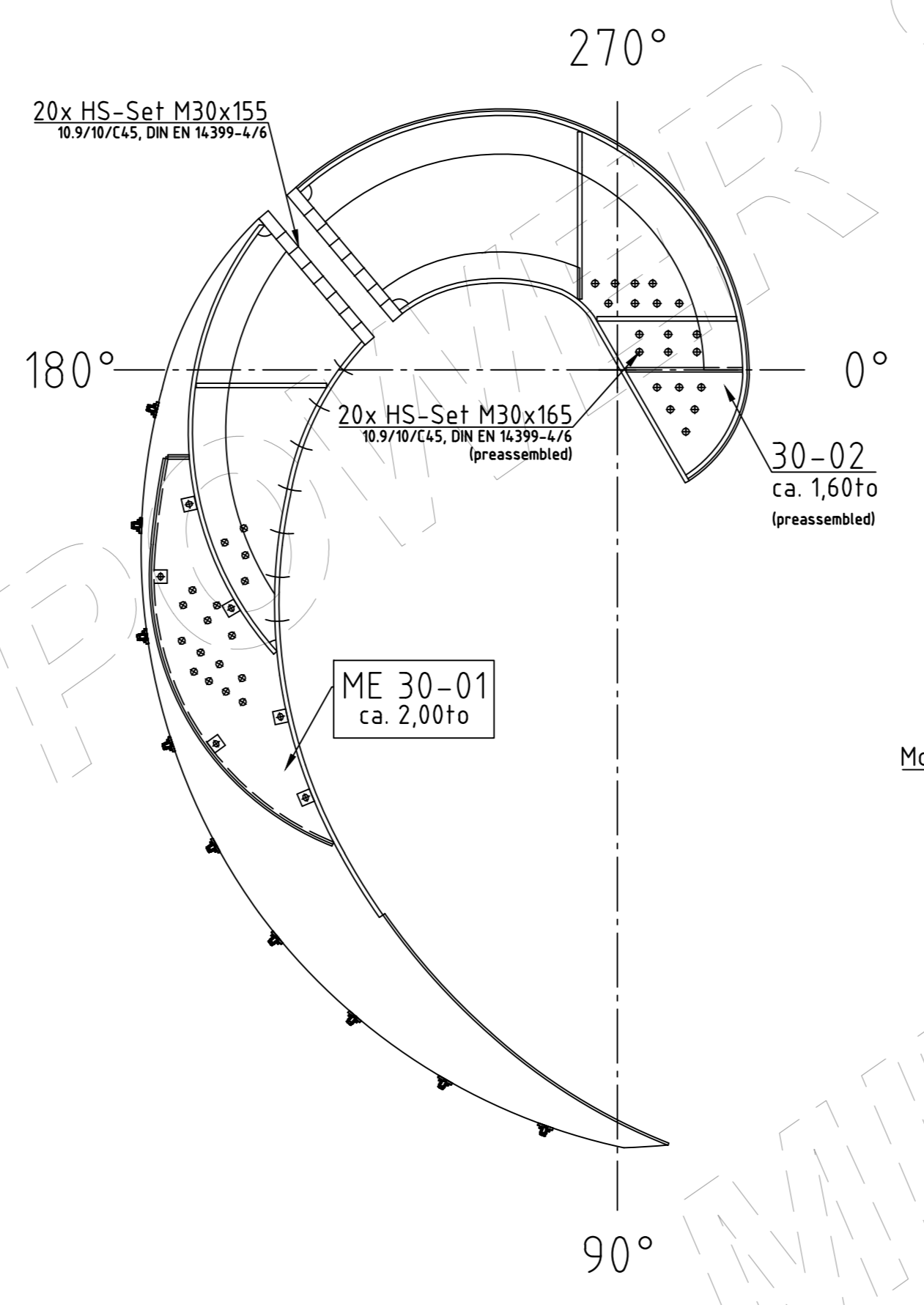


Mounting plating on construction site!

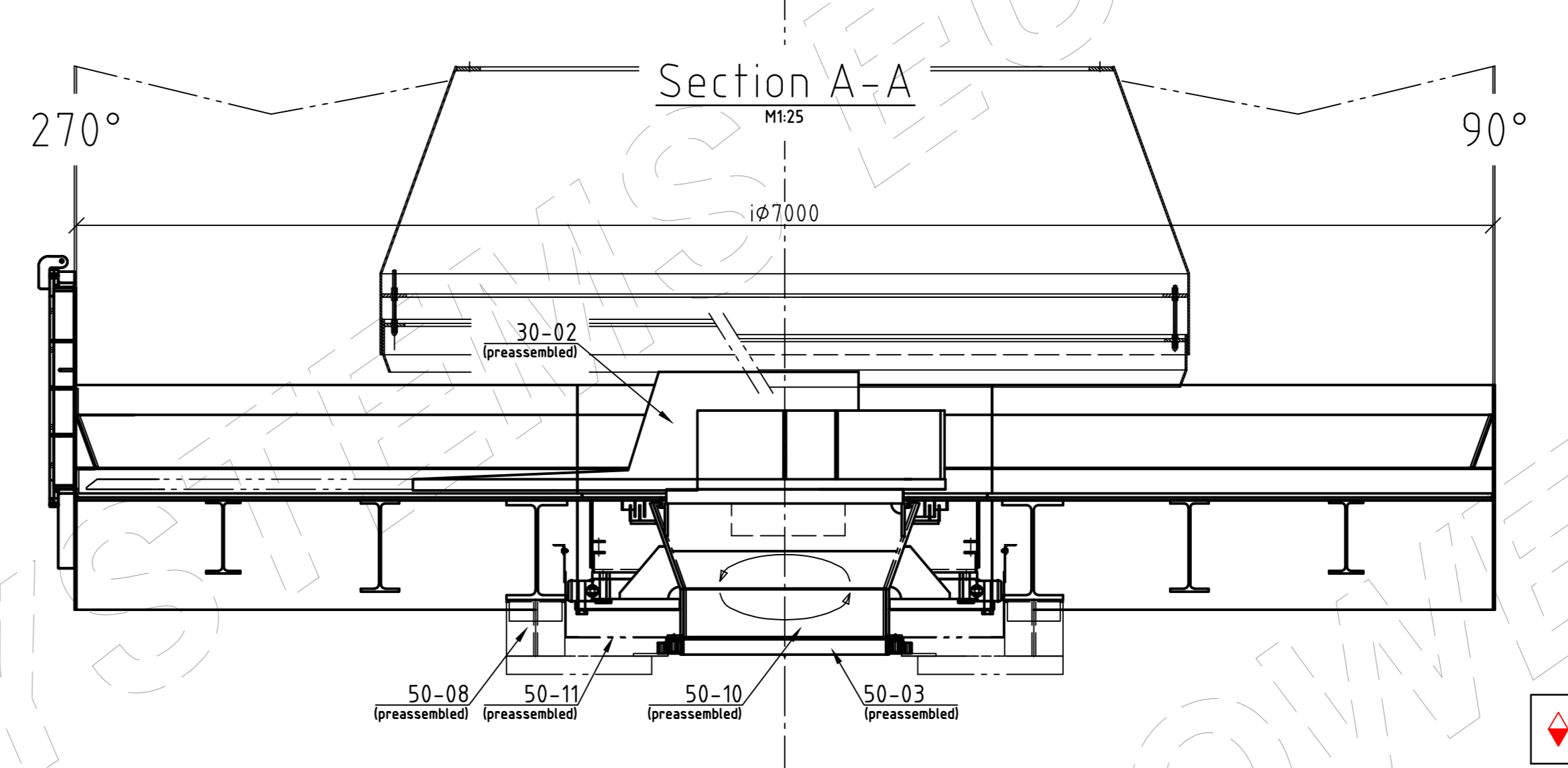
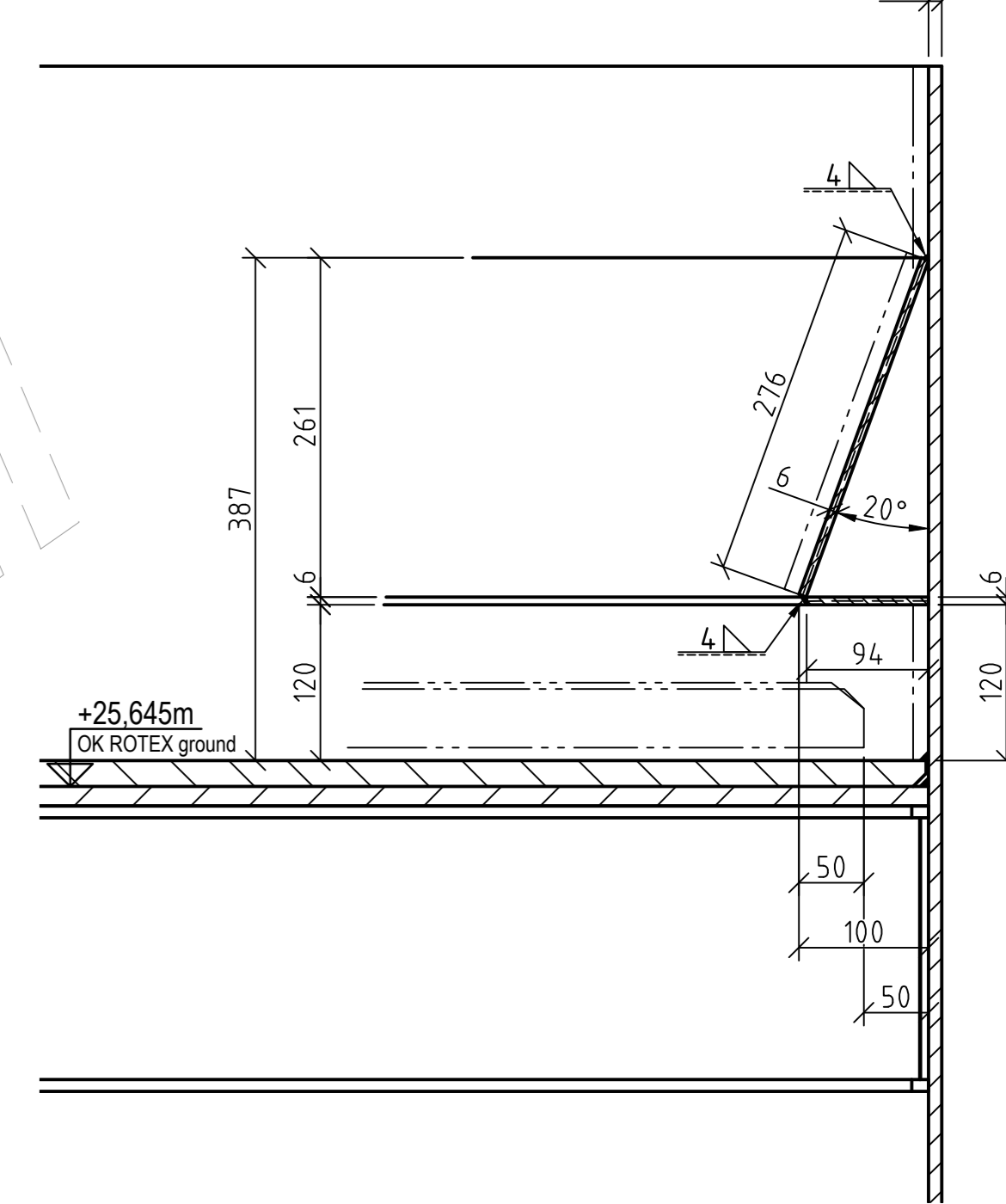


Lift the Modul "BG 6" from below to the silo!

Sickle in the end position



Section E-E



Legende/ legend			
50-03	Silenummer	Silenummer	
ME 10-01	Positionnummer	Positionnummer	
BG 1	Montageinheit	Montageinheit	
	Baugruppe	Monting unit	
		Module	

REFERENCE DRAWINGS	
DRAWING TITLE	DRAWING NO.
Overview rotex 07000, Part 1	4311-M-001-IC02-00001
Overview rotex 07000, Part 2	4311-M-001-IC02-00002
Lubrication schedule	4311-M-001-IC10-00004
Welding and inspection plan Rotex 07000, Part 1	4311-M-001-IC10-00005
Welding and inspection plan Rotex 07000, Part 2	4311-M-001-IC10-00006
Welding and inspection plan clearing arm R=3450	4311-M-001-IC10-00007
Welding and inspection plan manhole 1100x1000	4311-M-001-IC10-00008
Assembly drawing 8x relief cone Ø4000	4311-M-001-IC10-00015
Assembly drawing 8x rotex 07000, Modul 14, Part 2	4311-M-001-IC10-00017

NO.	DATE	DESCRIPTION	TBAKAS	TBAKAS	APPRO.
00	30.11.2016	First type			

PTOLEMAIS UNIT V
660 MW POWER PLANT
CONTRACT DMKT - 11 09 5052

CONTRACTOR
TERNA S.A.
85 MESOGEION AVE., 115 26 ATHENS, GREECE
Tel.: +30 210 69 68 000, Fax: +30 210 69 68 099
e-mail: terna@terna.gr

SUBCONTRACTOR
altmayer
SUBCONTRACTOR DWG. NO.
N-100170-M-001-IC10-00016

TITLE
Ptolemais unit V power plant
Assembly drawing, part 1
8x rotex 07000, Modul 14

SCALE	DRAWING NO.	SHEET	REV. NO.
1:25,15	4311-M-001-IC10-00016	01 of 01	-

THIS DRAWING SHALL NEITHER BE DUPLICATED, TRANSFERRED NOR REVISED WITHOUT OUR PRIOR WRITTEN APPROVAL. IT SHALL NOT BE MADE AVAILABLE TO THIRD PARTIES. ANY AND ALL RIGHTS IN ACCORDANCE WITH THE GERMAN LAW ON COPYRIGHT (URHG) AND GERMAN ACT AGAINST UNFAIR PRACTICES (UWG) SHALL REMAIN UNTOUCHED.