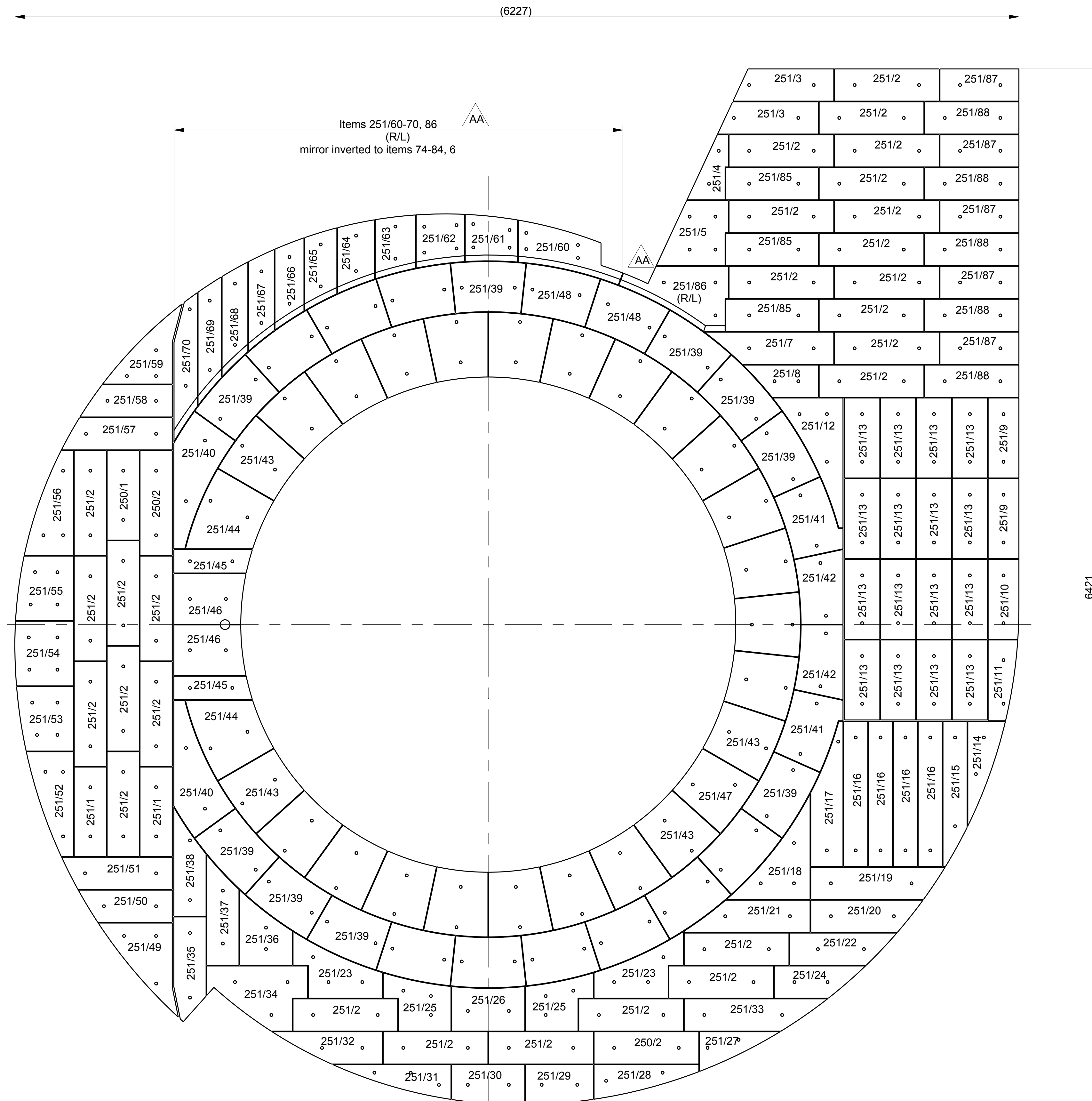
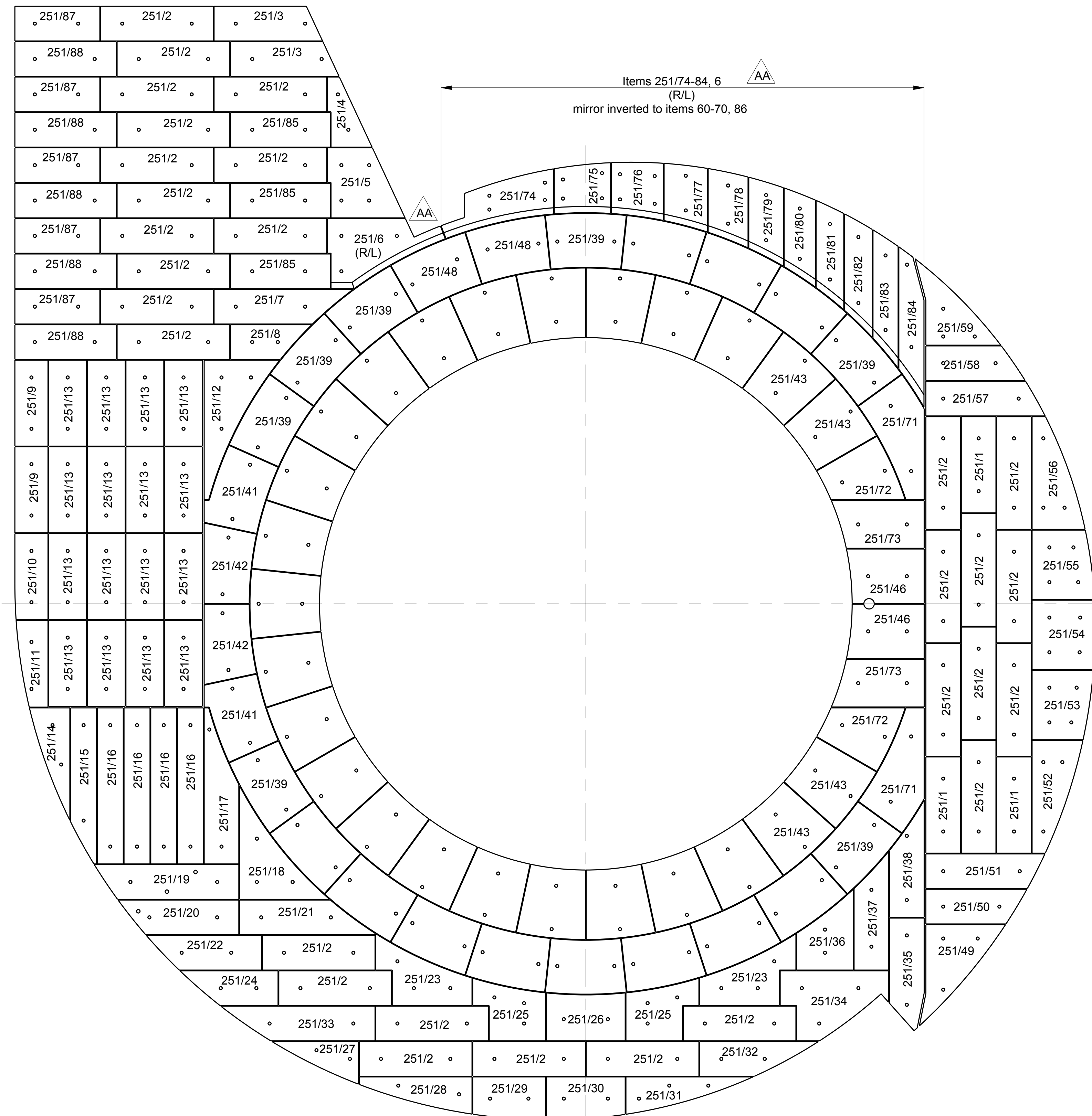
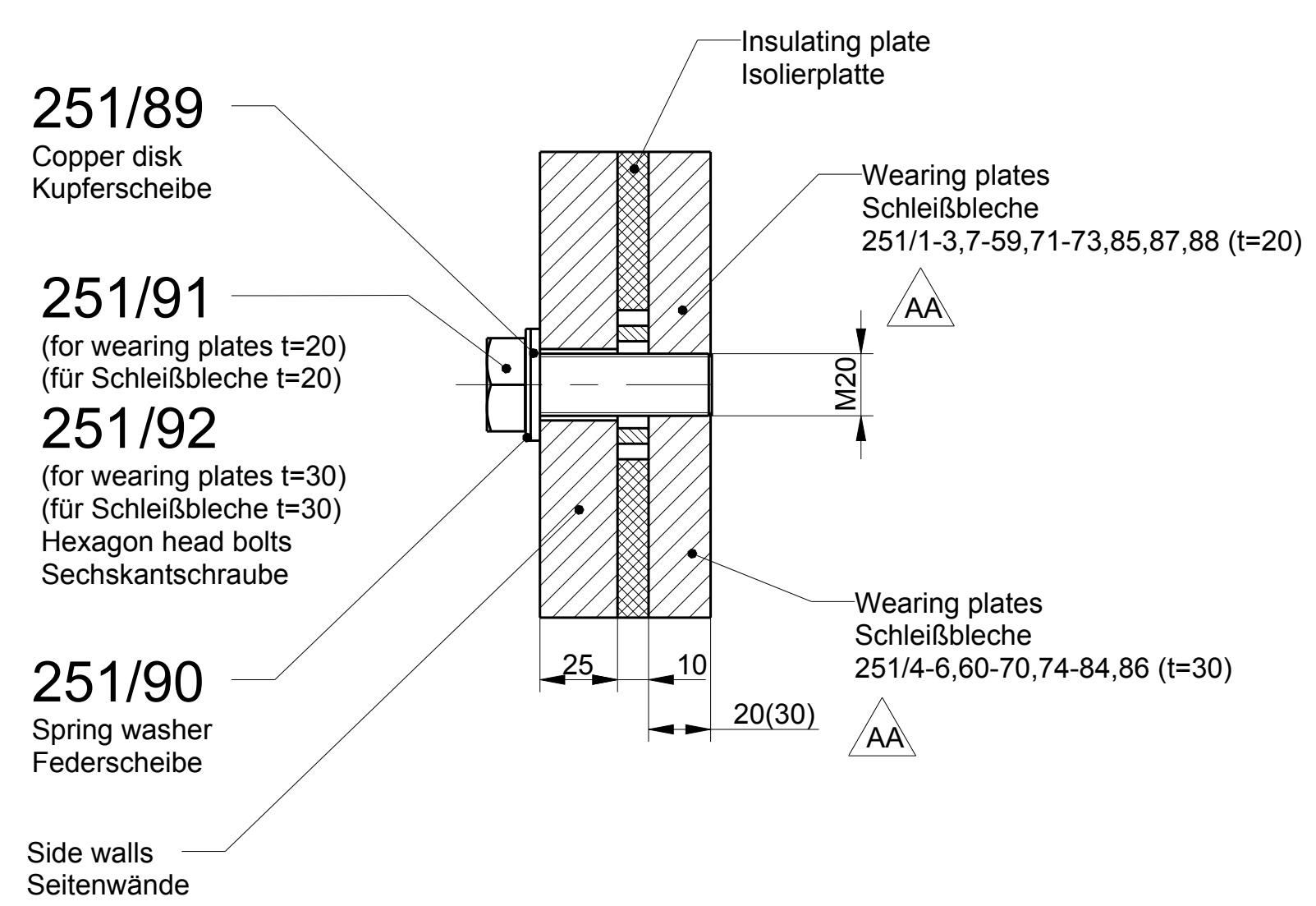


Wearing plates for the fan housing side wall (movable bearing side)
Schleißbleche zur Ventilatorgehäusesenwand (Loslagerseite)
Ass./BG 251 AA

Wearing plates for the fan housing side wall (fixed bearing side)
Schleißbleche zur Ventilatorgehäusesenwand (Festlagerseite)
Ass./BG 251 AA



Section Fan housing side wall
Schnitt VG- Gehäuse Seitenwand



251/89
Copper disk
Kupferscheibe

251/91
(for wearing plates t=20)
(für Schleißbleche t=20)

251/92
(for wearing plates t=30)
(für Schleißbleche t=30)
Hexagon head bolts
Sechskantschraube

251/90
Spring washer
Federscheibe

Side walls
Seitenwände

Right hand construction as drawn
Left hand construction mirror inverted

Non marked parts are equal for right and left turning mills
Marked parts (R/L) are shown for right turning mills, parts
for left turning mills are mirror inverted.
Right and left version in one mill!

REV. NO.	DATE	DESCRIPTION	DESIGNED	CHECKED	APPROVED
00	08.11.2017	First issue			
AA	08.08.2018	Test added, different parts for right left turning mills marked. Assembly No. changed			

PROJECT/OWNER
**PTOLEMAIS UNIT V
660 MW POWER PLANT**
CONTRACT DMKT - 11 09
5052
PUBLIC POWER CORPORATION S.A.

CONTRACTOR
TERNA S.A.
85 MESOGEION AVE., 115 26 ATHENS, GREECE
Tel.: +30 210 69 68 000, Fax: +30 210 69 68 099
e-mail: terna@terna.gr

SUBCONTRACTOR
MITSUBISHI HITACHI POWER SYSTEMS EUROPE
SUBCONTRACTOR DWG. NO.
N-100170-M-D25-ID16-00002-AA

TITLE
DGS 180
Wearing parts for the fan housing, sheet 2
Schleißteile zum Ventilatorgehäuse, Blatt 2

SCALE	DRAWING NO.	SHEET	REV. NO.
1:5	4311-M-D25-ID16-00002	01 of 01	AA

THIS DRAWING SHALL NOT BE REPRODUCED, TRANSFERRED NOR REVISED WITHOUT OUR PRIOR WRITTEN APPROVAL.
IT SHALL NOT BE MADE AVAILABLE TO THIRD PARTIES ANY AND ALL RIGHTS IN ACCORDANCE WITH THE GERMAN LAW
ON COPYRIGHT (URRG) AND GERMAN ACT AGAINST UNFAIR PRACTICES (UWG) SHALL REMAIN UNAFFECTED.

B(S)/P - Code:
X/X
Baugruppe - Assembly
Stückliste - Part list
Pos.-Nr. - Item-No.

