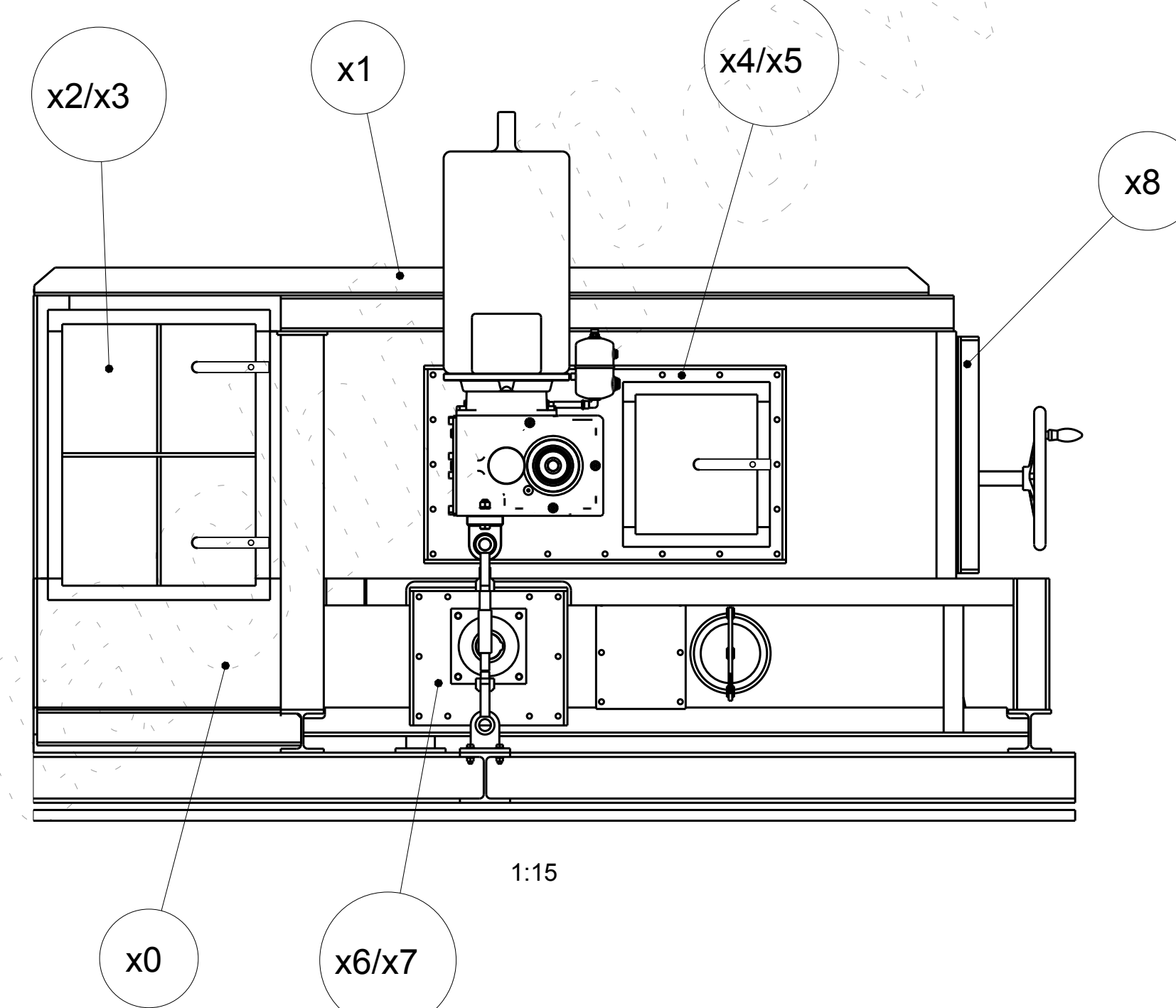
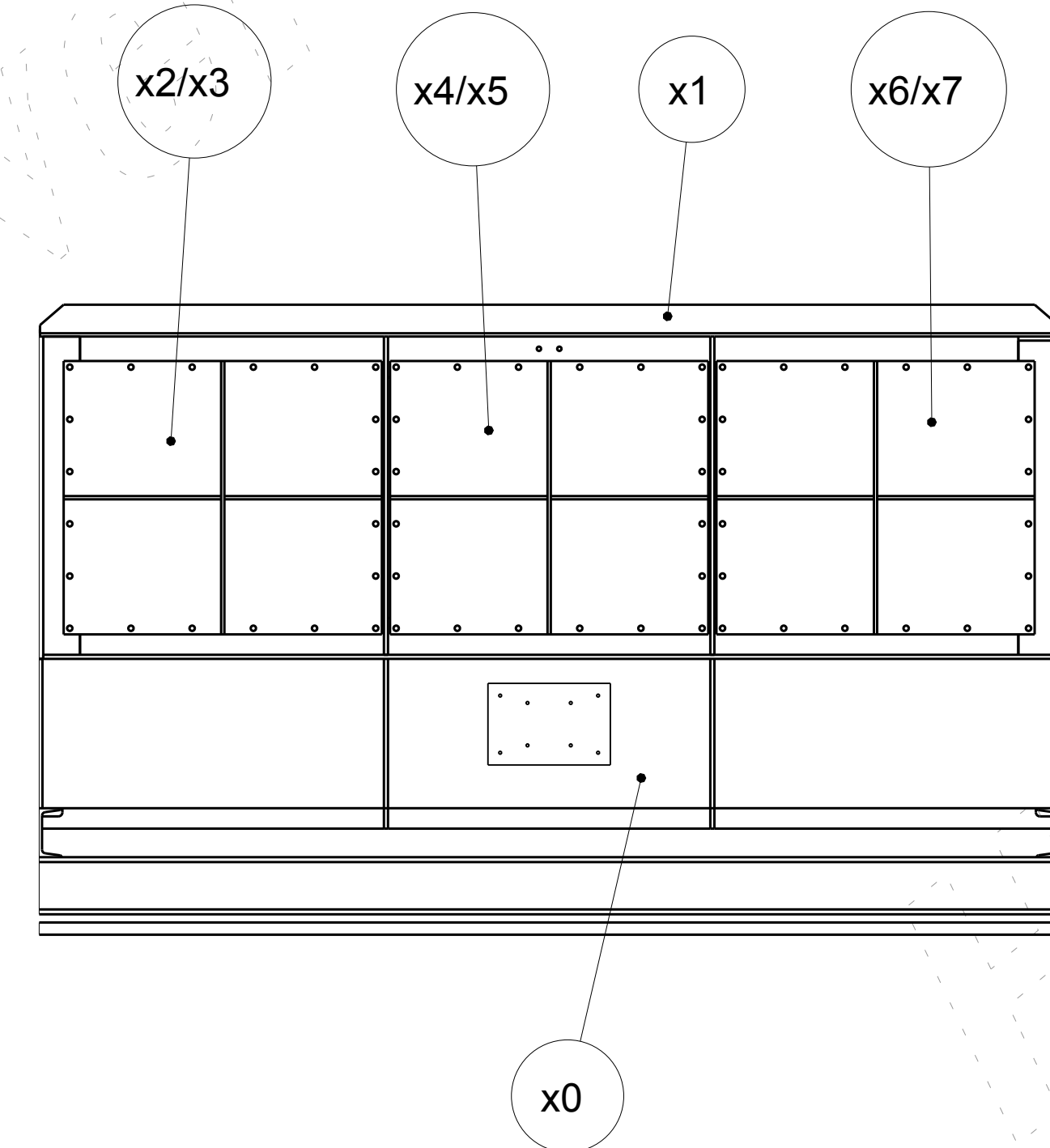
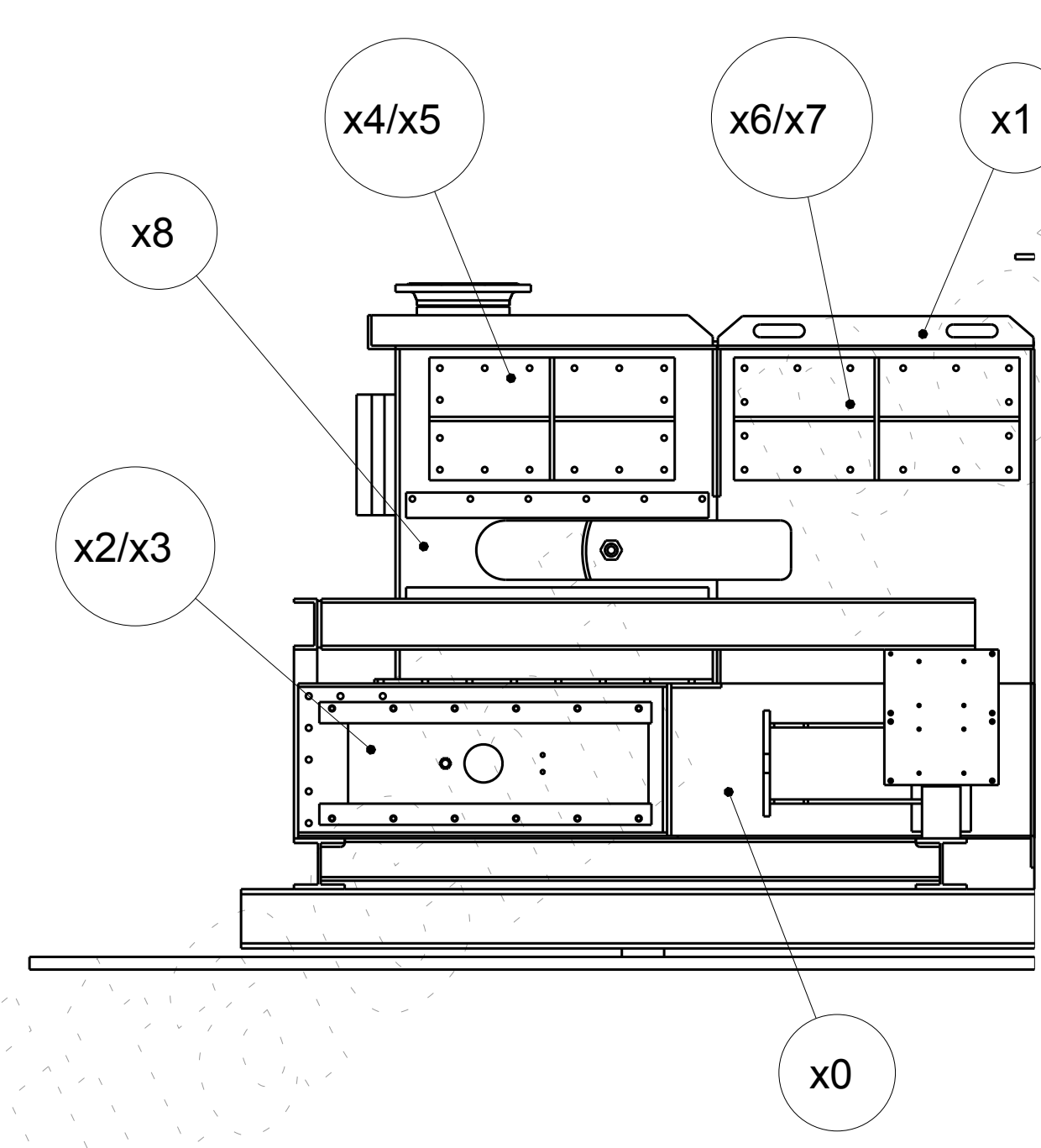


Labeling of non-loose parts

left / right
x: trough no.



POS. Item	LZ Item 1)	STUECK quantity	BENENNUNG	description	GEW. (kg) weight	BEMERKUNGEN remarks
10	F		Gurbandföhrer RP P800x2500 ATEX Spannstation	P800x2500 ATEX tension station	1920	
11	L		Gurbandföhrer RP P800x750 Deckel A	P800x750 cover A	100	
20	F		Gurbandföhrer RP P800x2500 ATEX Trog E	P800x2500 ATEX trough E	1334	
21	L		Gurbandföhrer RP P800x2500 Deckel D	P800x2500 cover D	490	
30	F		Gurbandföhrer RP P800x2500 ATEX Trog B	P800x2500 ATEX trough B	1250	
31	L		Gurbandföhrer RP P800x2500 Deckel B	P800x2500 cover B	312	
40	F		Gurbandföhrer RP P800x2500 ATEX Trog C	P800x2500 ATEX trough C	1227	
41	L		Gurbandföhrer RP P800x2500 Deckel A	P800x2500 cover A	297	
50	F		Gurbandföhrer RP P800x1000 ATEX Trog A	P800x1000 ATEX trough A	548	
51	L		Gurbandföhrer RP P800x1000 Deckel A	P800x1000 cover A	125	
60	F		Gurbandföhrer RP P800x868 ATEX Adapterstation	P800x868 ATEX adaptor station	468	
61	L		Gurbandföhrer RP P800x868 Deckel A	P800x868 cover A	112	
70	F		Gurbandföhrer RP P800x2500 ATEX Trog B	P800x2500 ATEX trough B	1250	
71	L		Gurbandföhrer RP P800x2500 Deckel C	P800x2500 cover C	316	
80	F		Gurbandföhrer RP P800x2500 ATEX Antriebstation	P800x2500 ATEX drive station	2161	
81	L		Gurbandföhrer RP P800x2500 Deckel B	P800x2500 cover B	312	
					Gesamtgewicht (kg) total weight [kg]	12223.3

1) Kennzeichen Lieferzustand
F = Versandführungsteil / guide item of assembled unit
L = Versandteil / not assembled item (single item)
Teile ohne Kennzeichen = Anbauteil an Führungsteil / not marked items are assembled on guide item

KKS No.
5 0HFB30 AF001
5 0HFB60 AF001

00	19.04.2017	first issue		Pauly	Fuhr	Blasch
REV. NO.	DATE	DESCRIPTION	DESIGNED	CHECKED	APPROV.	
PROJECT OWNER						
PTOLEMAIS UNIT V 660 MW POWER PLANT CONTRACT DMKT - 11 09 5052 PUBLIC POWER CORPORATION S.A.						
CONTRACTOR						
 TERNA S.A. 85 MESOGEION AVE., 115 26 ATHENS, GREECE Tel.: +30 210 69 68 000, Fax: +30 210 69 68 099 e-mail: terna@terna.gr						
SUBCONTRACTOR						
 HITACHI Inspire the Next N-100170-M-005-IM02-00003-00						
TITLE						
Belt Conveyor - HFB30/60 P800 ATEX - 13 143 m Overview - Labeling						
SCALE						
DRAWING NO.						
SHEET						
REV. NO.						
1:30	4311-M-005-IM02-00003				01 of 01	00
THIS DRAWING SHALL NOT BE DUPLICATED, TRANSFERRED NOR REVISED WITHOUT OUR PRIOR WRITTEN APPROVAL. IT SHALL NOT BE MADE AVAILABLE TO THIRD PARTIES ANY AND ALL RIGHTS IN ACCORDANCE WITH THE GERMAN LAW ON COPYRIGHT (URHG) AND GERMAN ACT AGAINST UNFAIR PRACTICES (UWG) SHALL REMAIN UNAFFECTED.						

