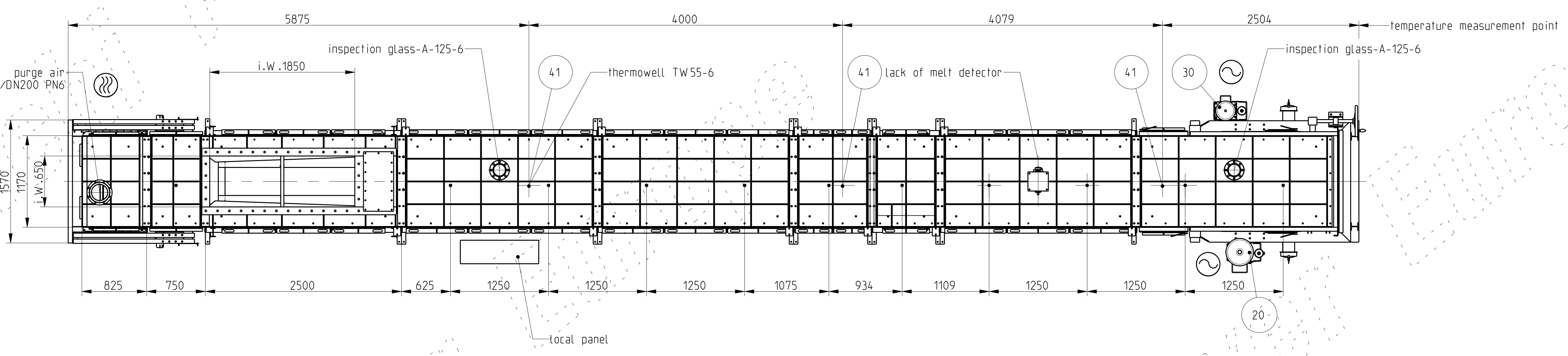
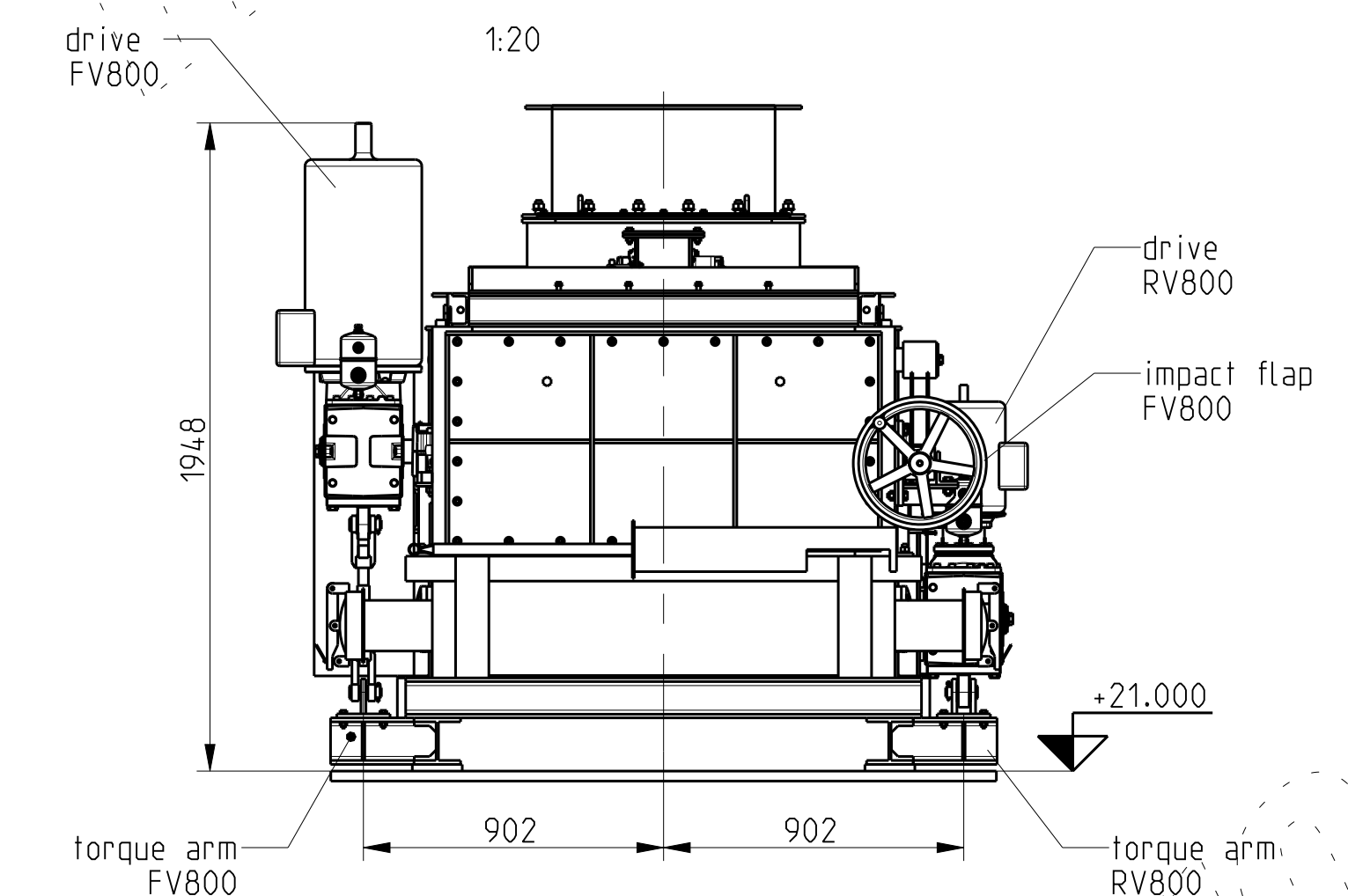
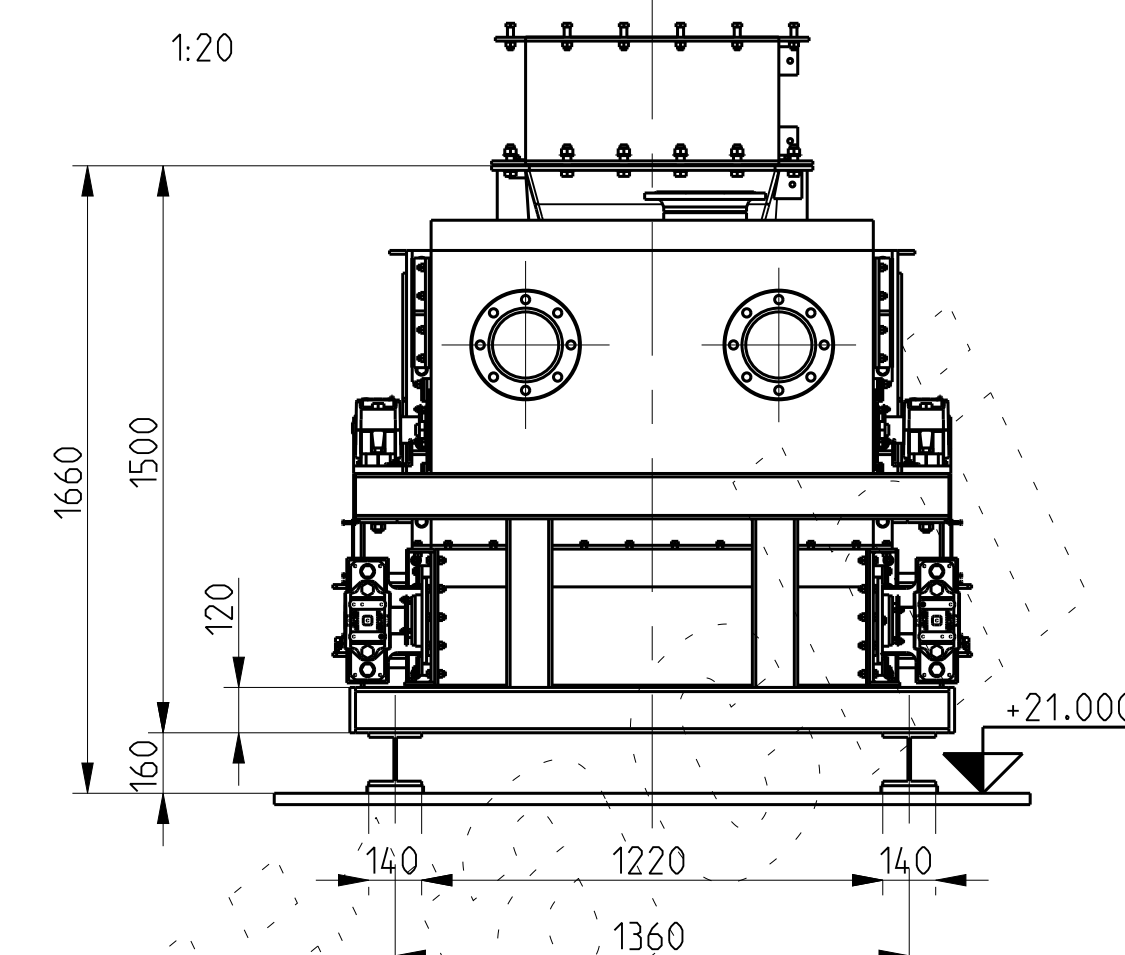
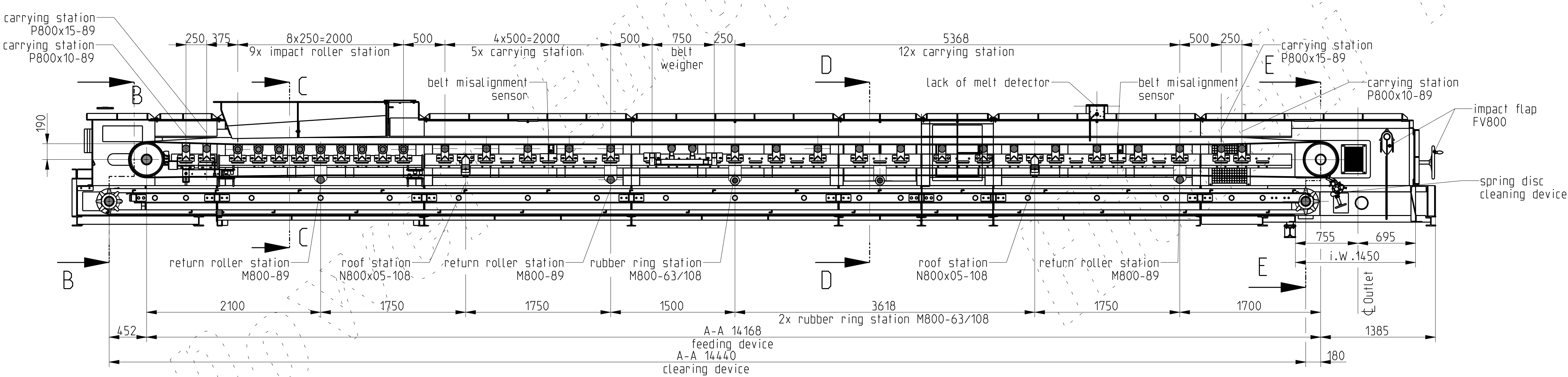
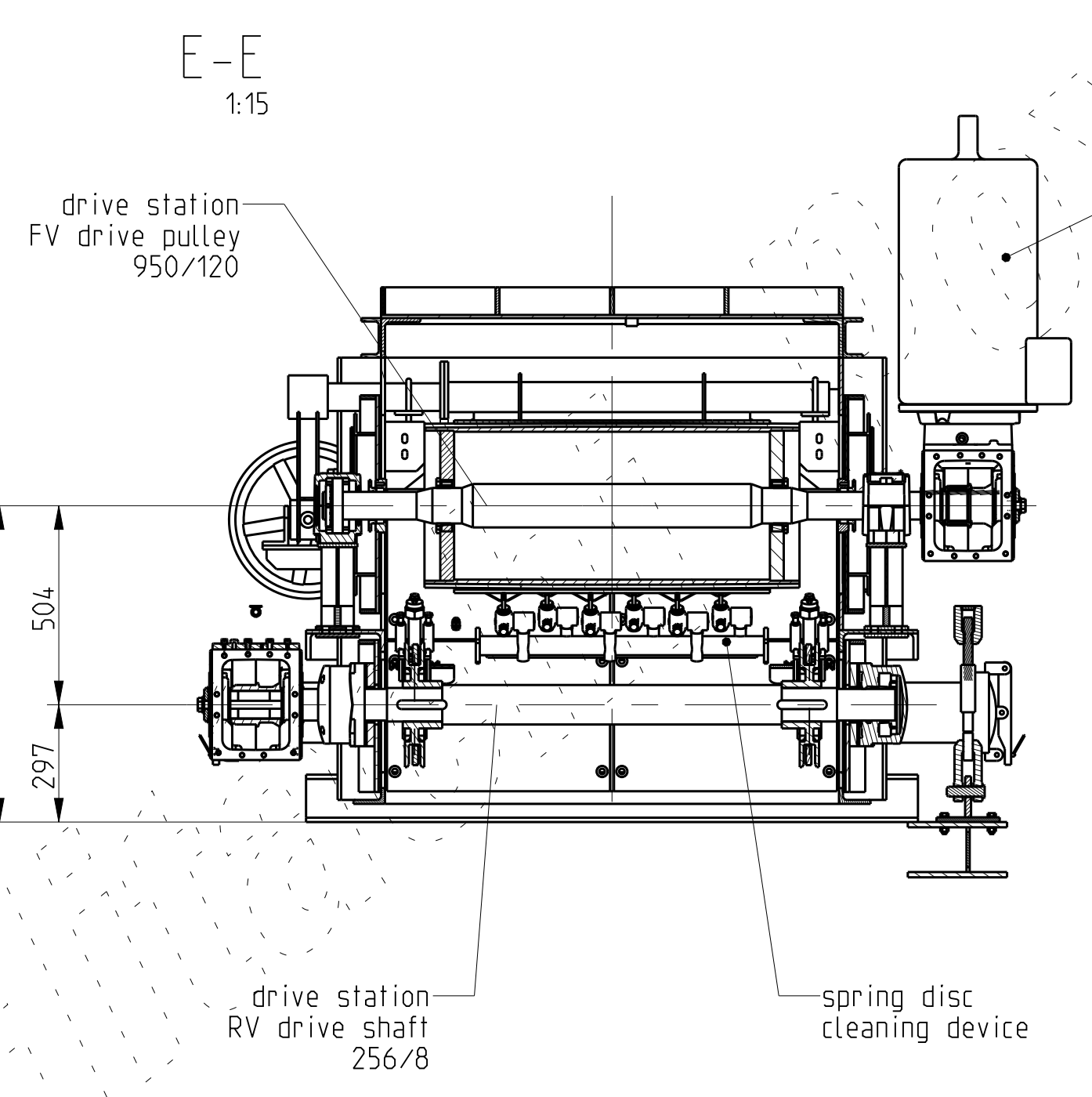
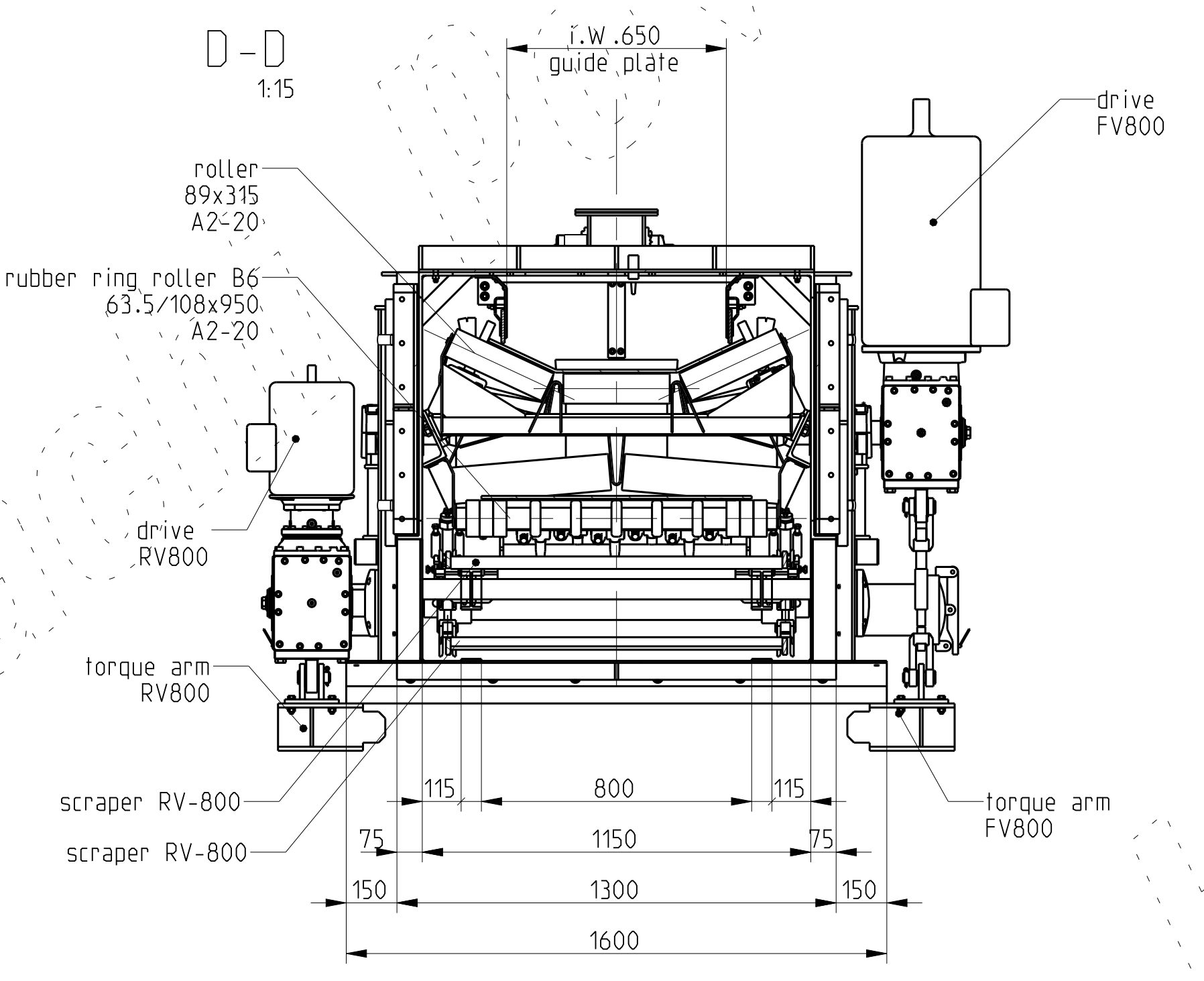
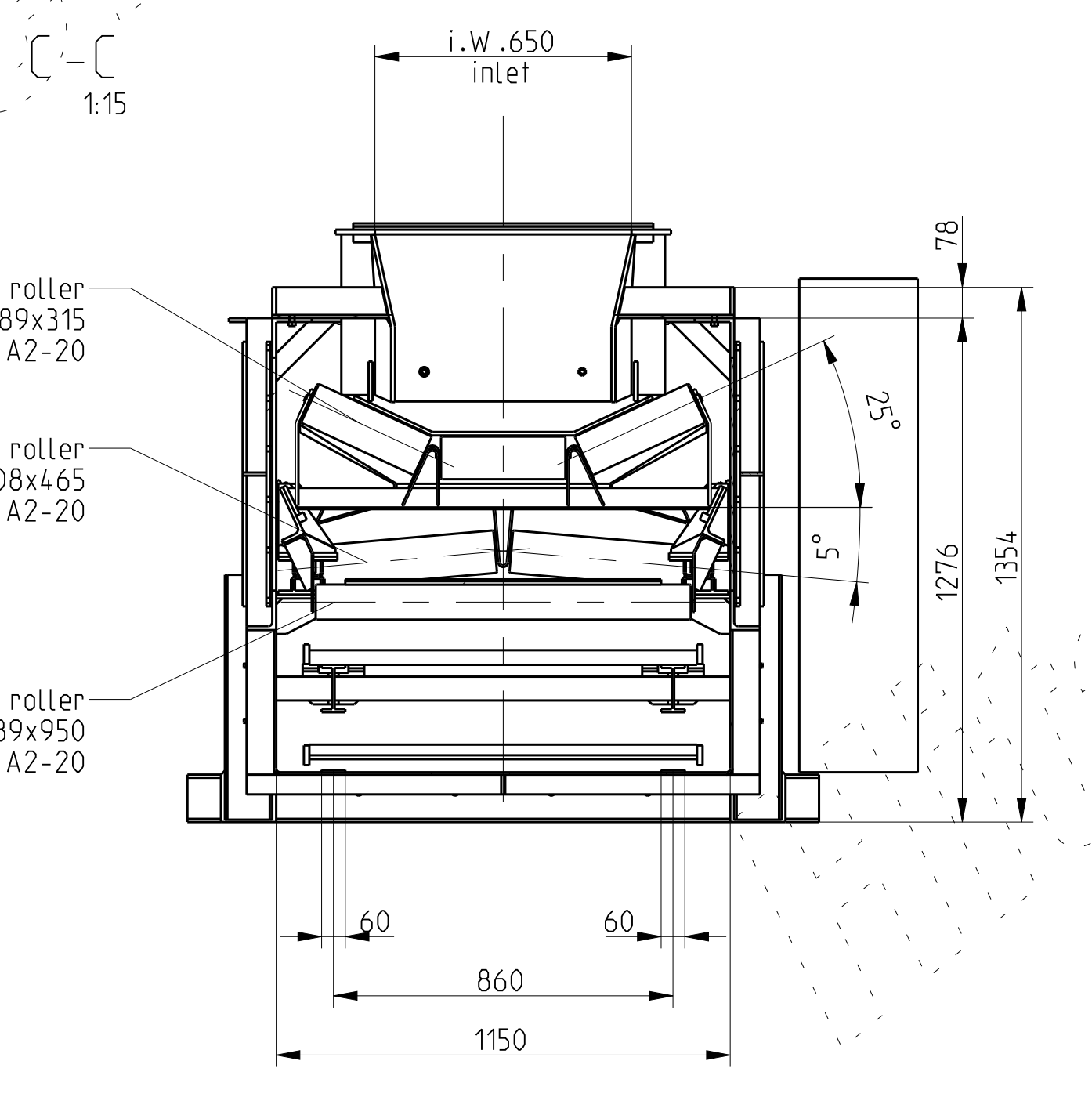
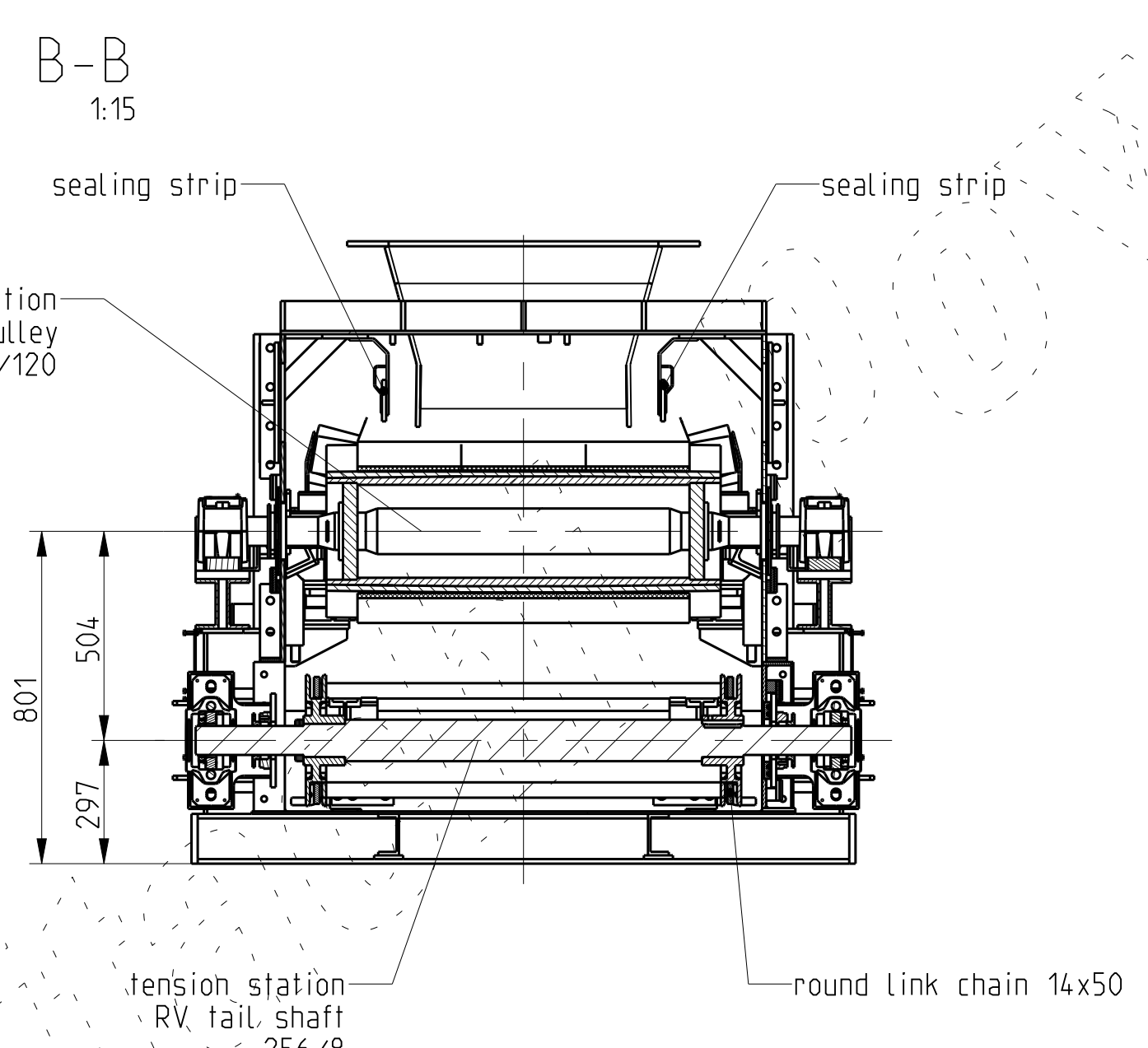


POS. item	LZ (dim 1x)	STUECK quantity	BENENNUNG	description	kg/Stk	GEW. (kg)	Zeilungs-Nr. drawing-no.	BEMERKUNGEN
1	F	1	P800x2500 ATEX Spannstation	P800x2500 ATEX tension station	1919	1919	Z000002-M-005-1604-2100	
2	F	1	P800x2500 ATEX Antriebsstation	P800x2500 ATEX drive station	2157	2157	Z000002-M-005-1604-2000	
3	F	2	P800x2500 ATEX Trog B	P800x2500 ATEX trough B	1237	2473	Z000002-M-005-1604-2201	
4	F	1	P800x2500 ATEX Trog C	P800x2500 ATEX trough C	1235	1235	Z000002-M-005-1604-2202	
5	F	1	P800x2500 ATEX Trog E	P800x2500 ATEX trough E	1320	1320	Z000002-M-005-1604-2204	
6	F	1	P800x1000 ATEX Trog A	P800x1000 ATEX trough A	543	543	Z000002-M-005-1604-2220	
7	F	1	P800x868 ATEX Adapterstation	P800x868 adaptor station	463	463	Z000002-M-005-1604-2608	
8	L	1	P800x2500 Deckel A	P800x2500 cover A	297	297	Z000002-M-005-1604-2800	
9	L	2	P800x2500 Deckel B	P800x2500 cover B	312	625	Z000002-M-005-1604-2801	
10	L	1	P800x2500 Deckel C	P800x2500 cover C	316	316	Z000002-M-005-1604-2802	
11	L	1	P800x2500 Deckel D	P800x2500 cover D	504	504	Z000002-M-005-1604-2803	
12	L	1	P800x1000 Deckel A	P800x1000 cover A	125	125	Z000002-M-005-1604-2815	
13	L	1	P800x750 Deckel A	P800x750 cover A	100	100	Z000002-M-005-1604-2820	
14	L	1	P800x868 Deckel A	P800x868 cover A	112	112	Z000002-M-005-1604-2611	
15	L	1	Schaltschrank	local panel	101	101	supplier part	
20	L	1	Antrieb FV800	drive FV800	204	204	supplier part	
21	L	1	Drehmoments Dize FV800	torque arm FV800	19	19	Z000002-M-005-1604-0900	
22	L	1	Gurt EP400/3 B=800 L=30 m	Belt EP400/3 B=800 L=30 m	247	247	supplier part	
23	L	2	Dichtleiste L=14 m	sealing strip L=14 m	16	33	supplier part	
30	L	1	Antrieb RV800	drive RV800	170	170	supplier part	
31	L	1	Drehmoments Dize RV800	torque arm RV800	13	13	Z000002-M-005-1604-1900	
32	L	2	Rundstahlkette 14x50 L=30 m	round link chain 14x50 L=30 m	119	238	supplier part	
33	L	30	Mitnehmer RV-800	scraper RV-800	7	201	Z000002-M-005-1604-1960	
41	L	3	Schutzrohr TW55-6	thermowell TW55-6	0	0	supplier part	
					Gesamtwicht (kg)	13395		
					total weight (kg)	13395		



0 5HFB 30/60



PTOLEMAIS UNIT V
660 MW POWER PLANT
CONTRACT DMKT - 11 09
5052

PUBLIC POWER CORPORATION S.A.

CONTRACTOR: **TERNA S.A.**
85 MESOGEION AVE., 115 26 ATHENS, GREECE
Tel.: +30 210 69 68 000, Fax: +30 210 69 68 099
e-mail: terna@terna.gr

SUBCONTRACTOR: **HITACHI**
Inspire the Next

N-101770-M-005-ID04-00003-AA

TITLE: Belt Conveyor - HF830/80 P800 ATEX - 13.143 m Overview

sym.	description	SCALE	DRAWING NO.	SHEET	REV. NO.
⊕	690V AC, 50Hz	1:30	4311-M-005-ID04-00003	01 of 01	AA

THIS DRAWING SHALL NEITHER BE DUPLICATED, TRANSFERRED NOR REVISED, WITHOUT OUR PRIOR WRITTEN APPROVAL. IT SHALL NOT BE MADE AVAILABLE TO THIRD PARTIES ANY AND ALL RIGHTS IN ACCORDANCE WITH THE GERMAN LAW ON COPYRIGHT (URRG) AND GERMAN ACT AGAINST UNFAIR PRACTICES (UWG) SHALL REMAIN UNAFFECTED.

