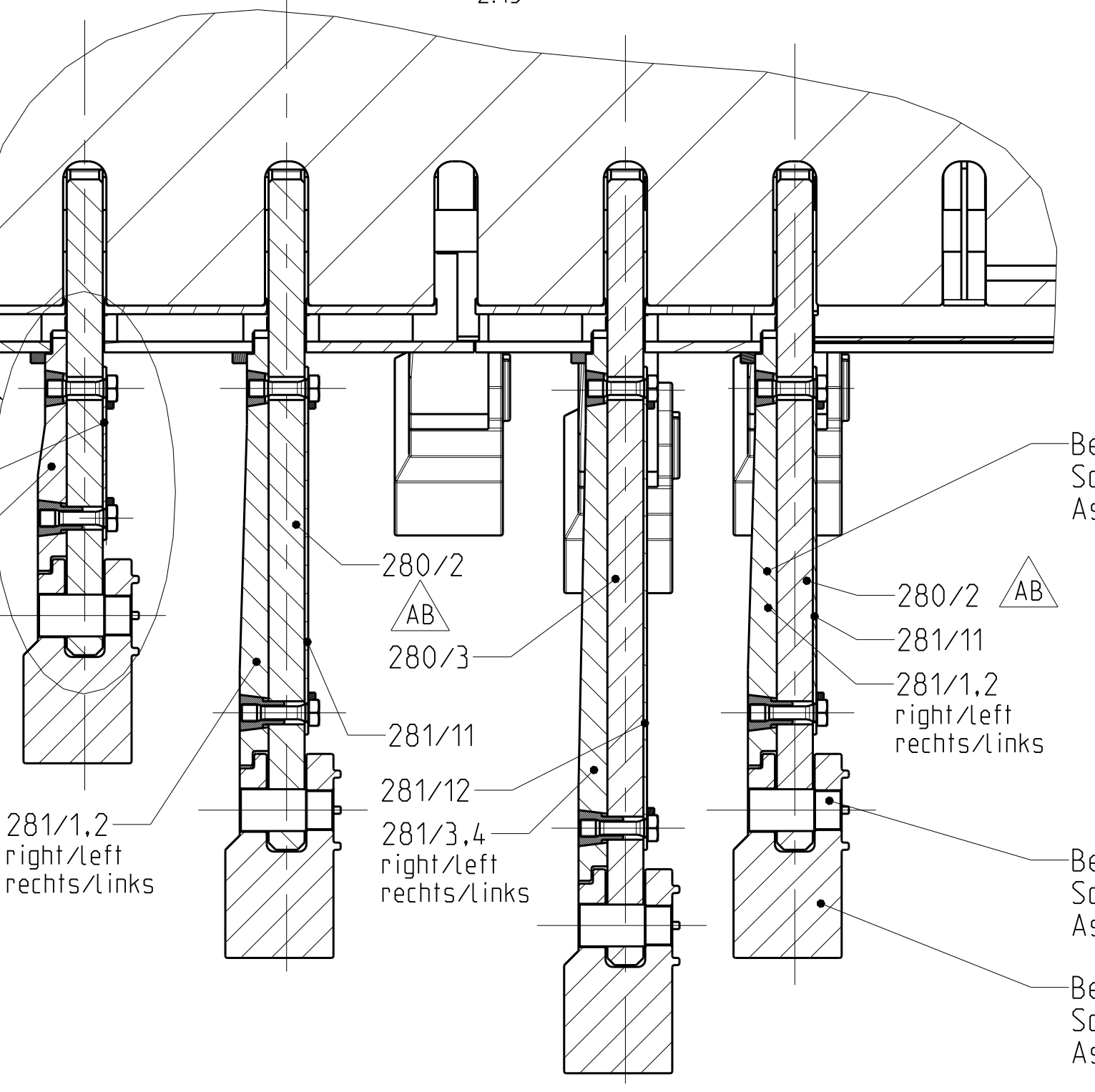
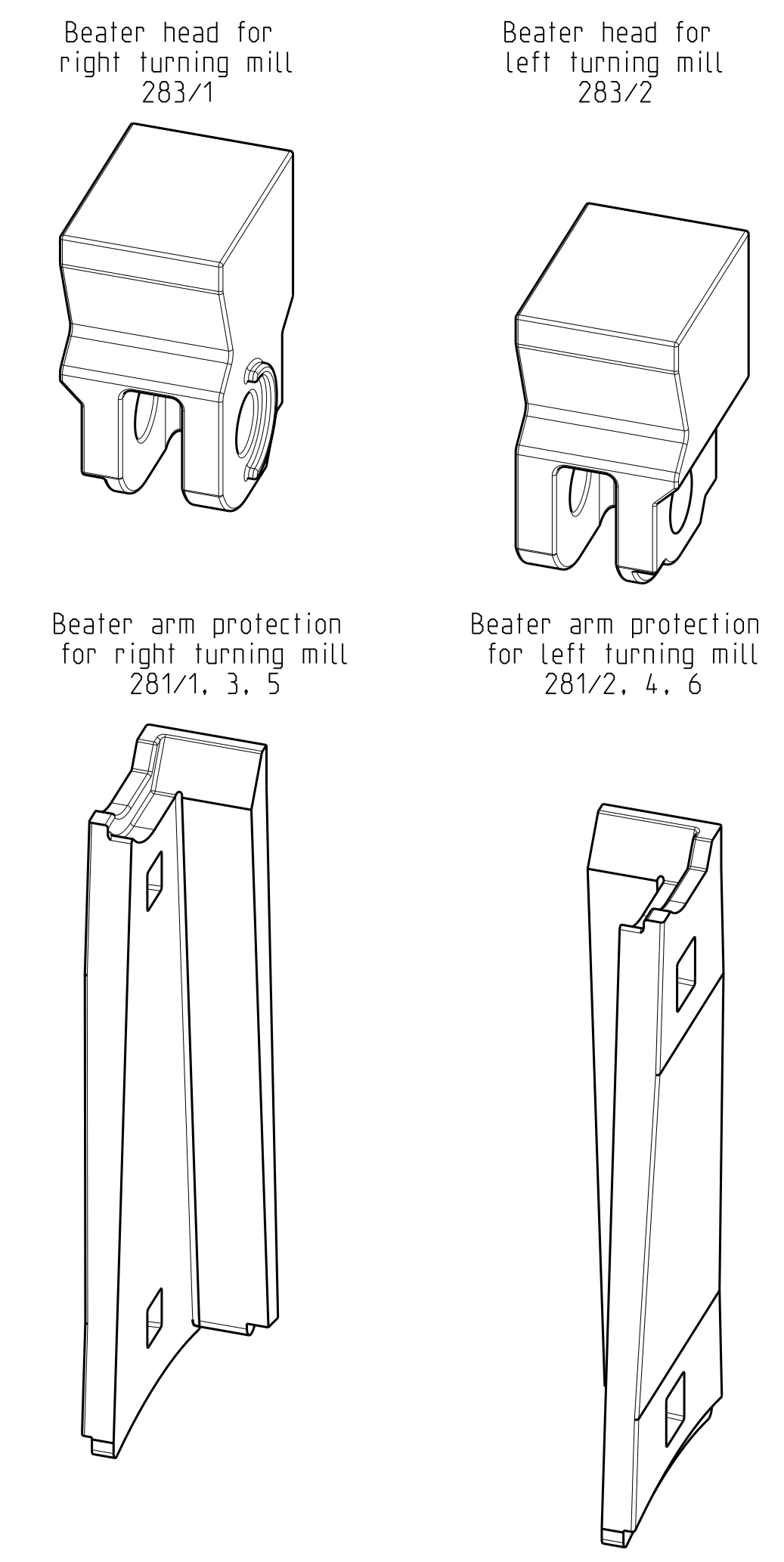
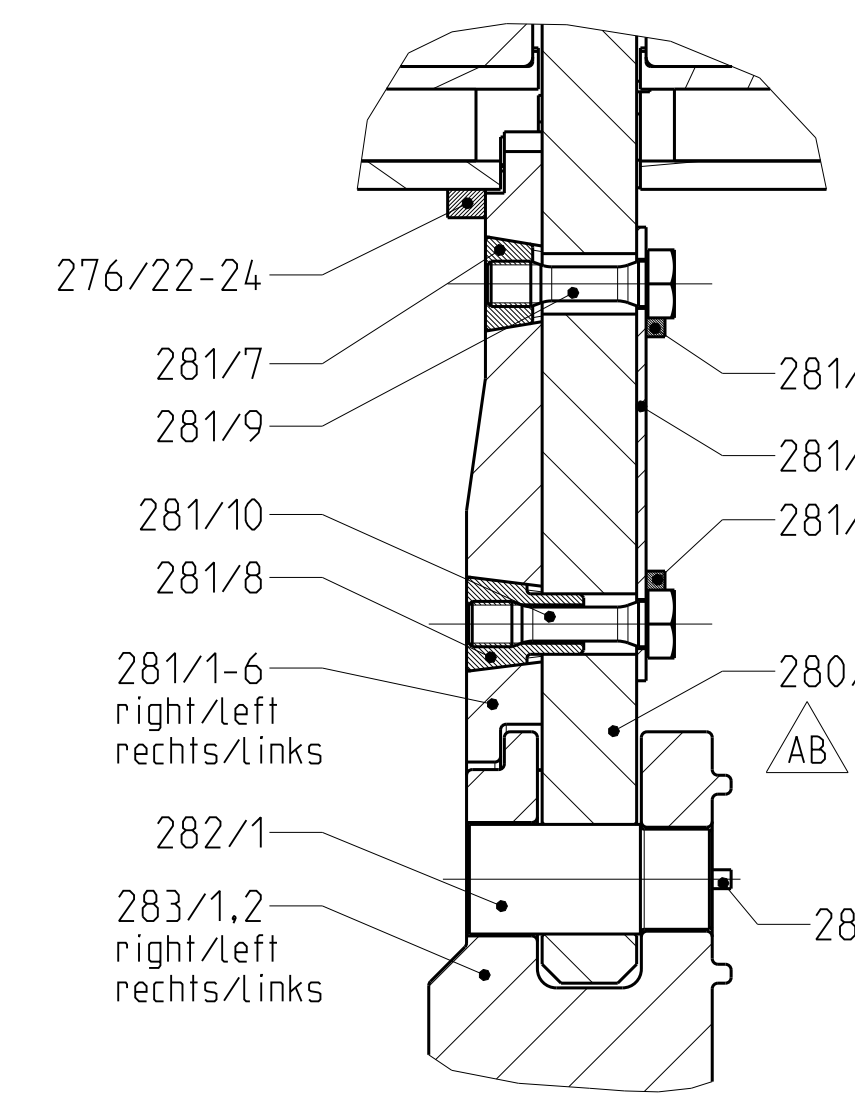
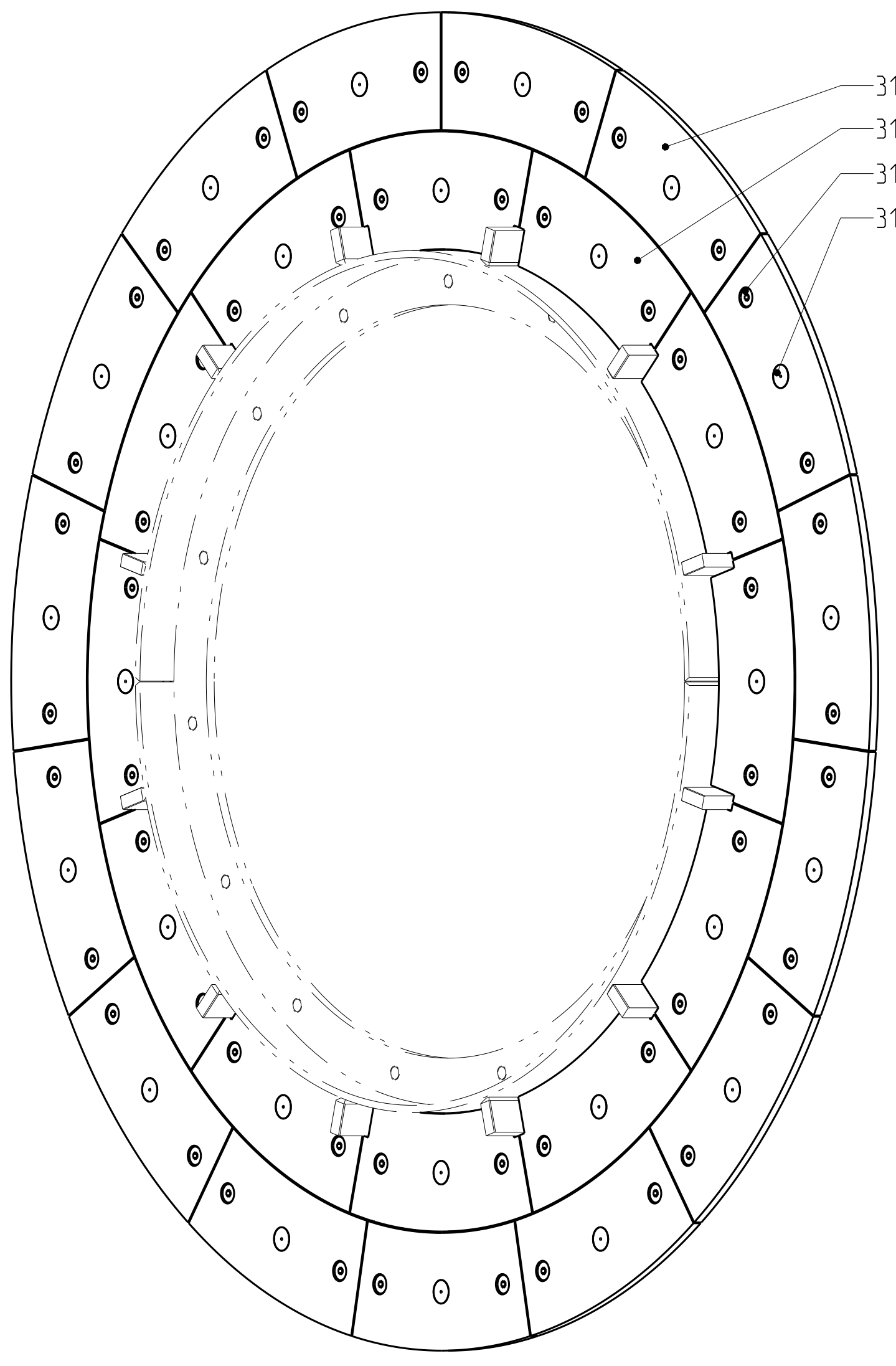
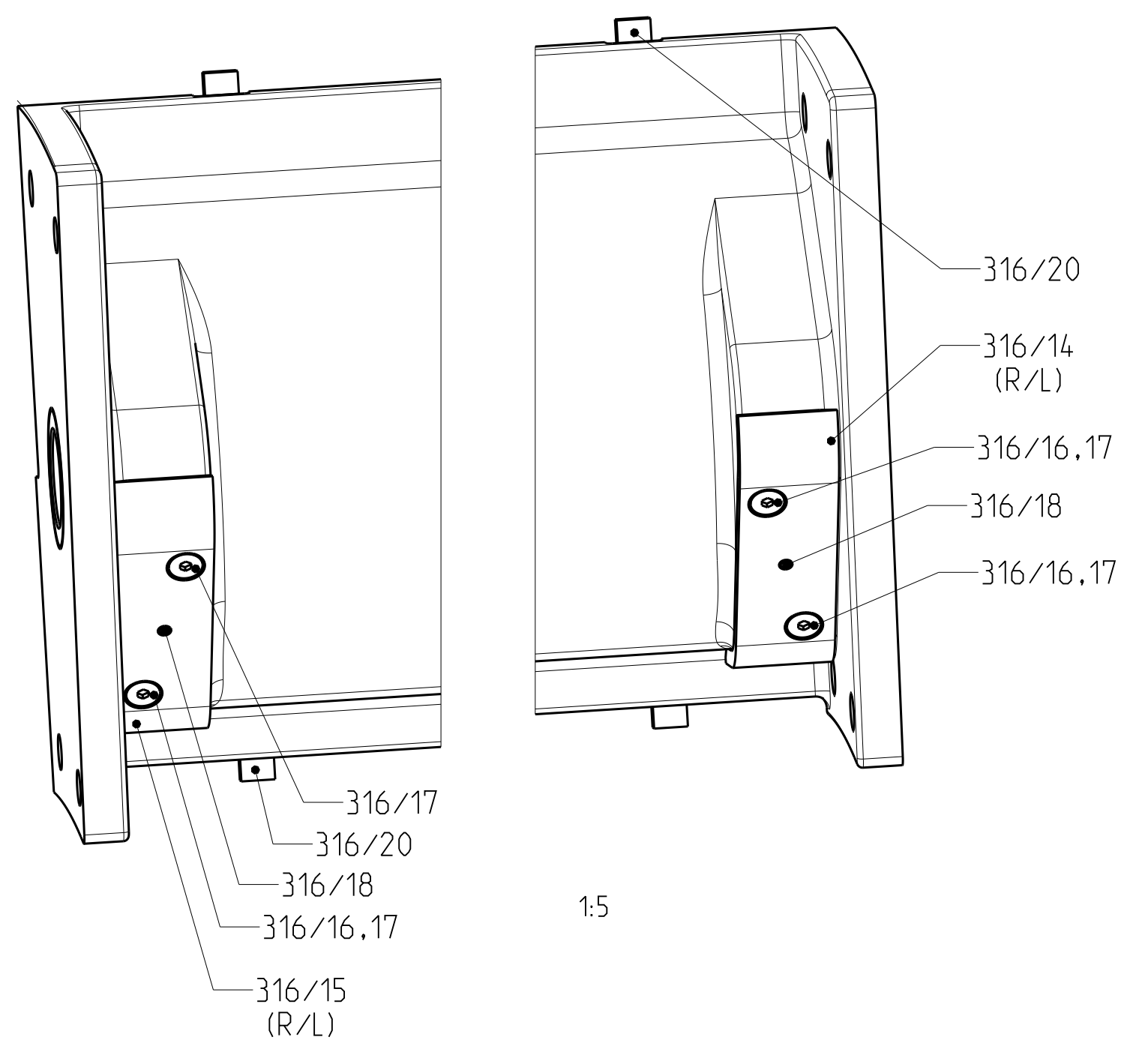


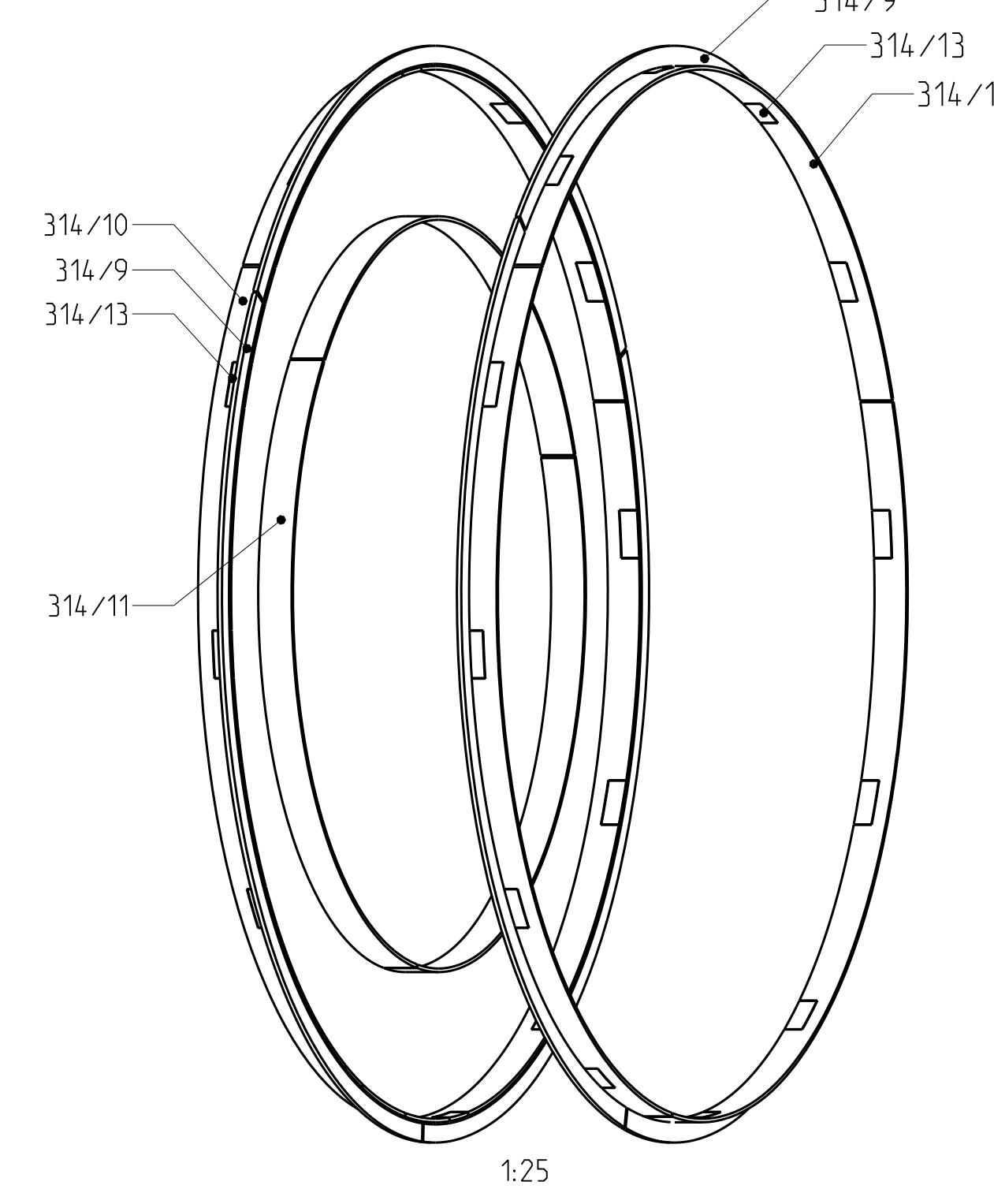
Wearing plates for the baffle disc  
Schleissbleche zur Prallscheibe  
Ass./BG 318



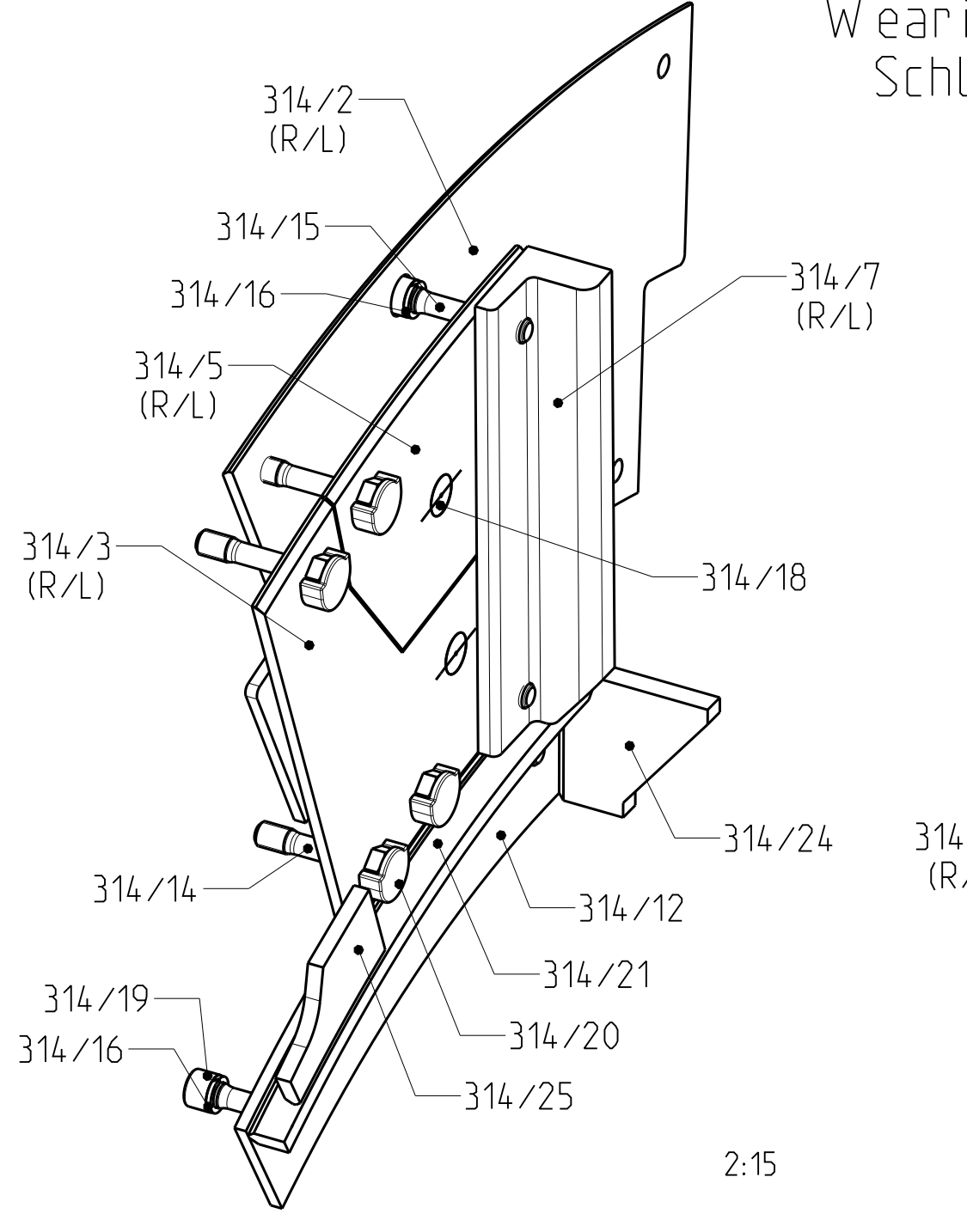
Wearing plates for the web  
Schleissbleche zum Distanzhalter  
Ass./BG 316



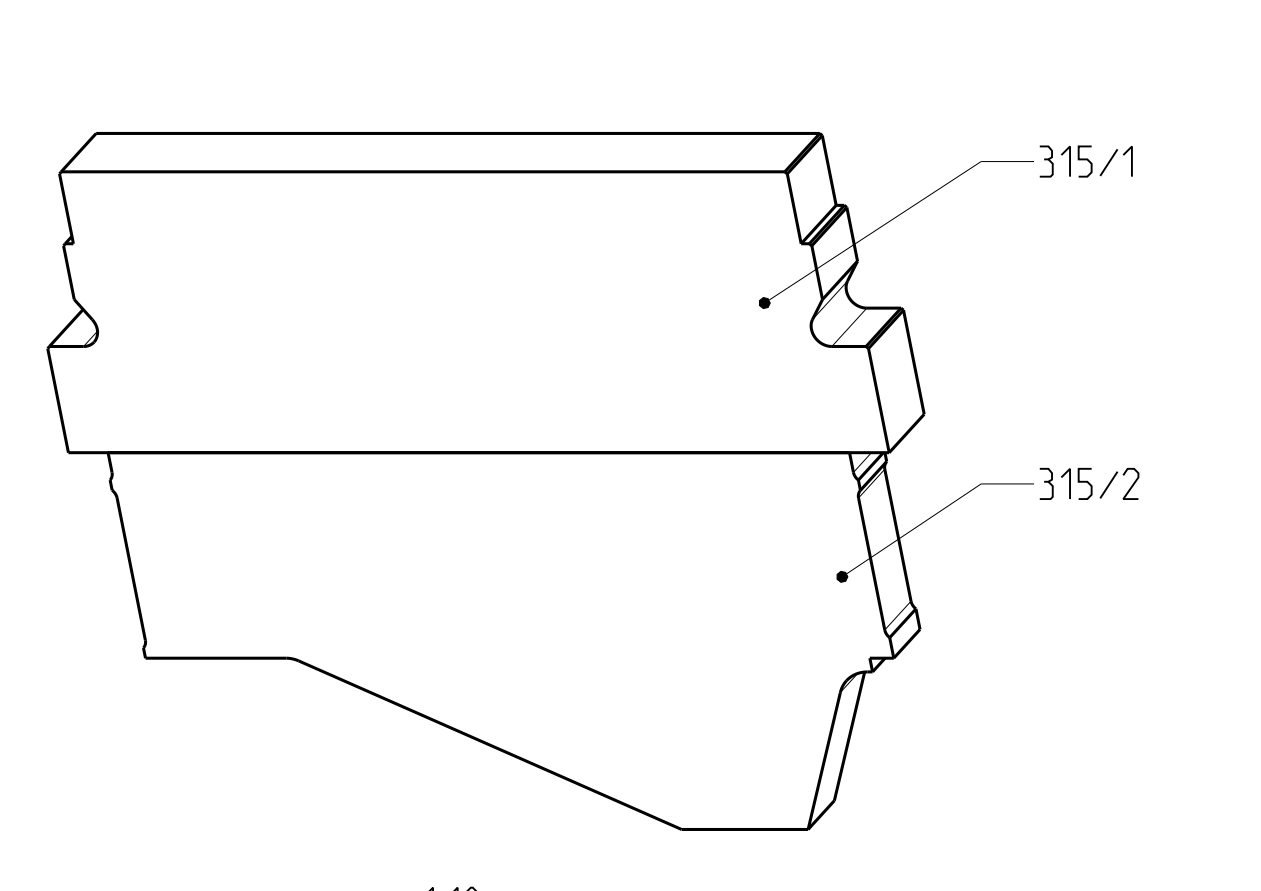
Wearing parts for the fan wheel (bandages)  
Schleissbleche zum Schaufelrad (Bandagen)  
Ass./BG 314



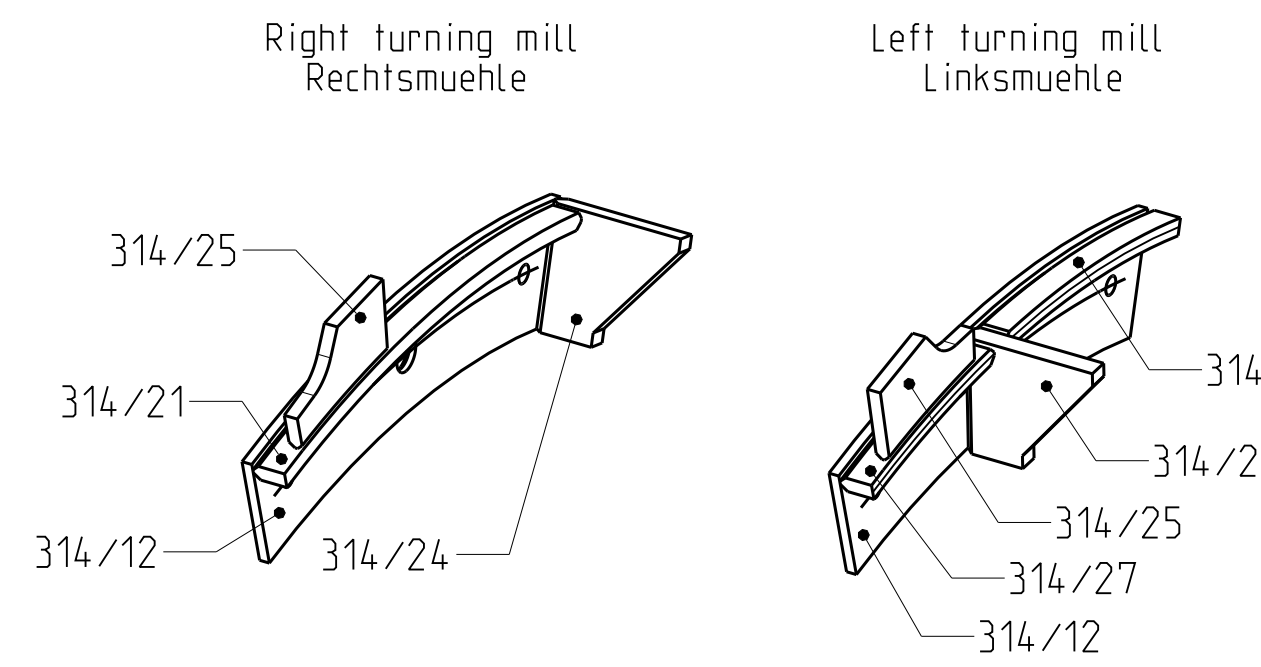
Wearing parts for the fan wheel  
Schleissbleche zum Schaufelrad  
Ass./BG 314



Blade (rod and plate)  
Schaufel /Stab und Platte)  
Ass./BG 315



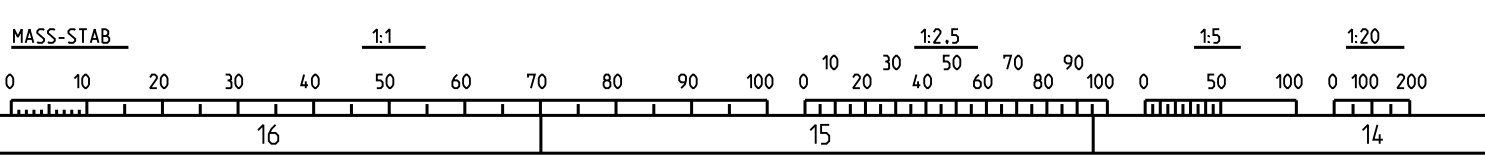
Wearing plates behind baffle disc  
Schleissbleche hinter der Prallscheibe



Right hand construction as drawn  
Left hand construction mirror inverted

Non marked parts are equal for right and left turning mills  
Marked parts (R/L) are shown for right turning mills, parts  
for left turning mills are mirror inverted.  
Right and left version in one mill !

AB	29.03.2019	Miscellaneous modifications	Werner	Westphal	Westphal
AA	06.08.2018	Text added, Views beater head and arm prot. added, R/L-marking	Czech	Liss	Textores
00	09.11.2017	First issue	Czech	Liss	Textores
REV. NO.	DATE	DESCRIPTION	DESIGNED	CHECKED	APPROV
PROJECTOWNER					
PTOLEMAIS UNIT V 660 MW POWER PLANT CONTRACT DMKT - 11 09 5052			PUBLIC POWER CORPORATION S.A.		
CONTRACTOR					
 <b>TERNA S.A.</b> 85 MESOGEION AVE., 115 26 ATHENS, GREECE Tel.: +30 210 69 68 000, Fax: +30 210 69 68 099 e-mail: terna@terna.gr					
SUBCONTRACTOR					
 <b>MITSUBISHI HITACHI POWER SYSTEMS EUROPE</b>				SUBCONTRACTOR DWG. NO. N-100170-M-D27-ID16-00001-AB	
TITLE					
DGS 180 Wearing parts for the mill rotor Schleissbleche zum Mühlenrotor					
BG Ass.	DRAWING NO.		SHEET		REV. NO.
270	4311-M-D27-ID16-00001		01 of 01		AB
310	SCALE				
...	1:10				
...	Format				
AO					



B(S)/P - Code:  
X/X  
Baugruppe - Assembly  
Stückliste - Part list  
Pos.-Nr. - Item-No.