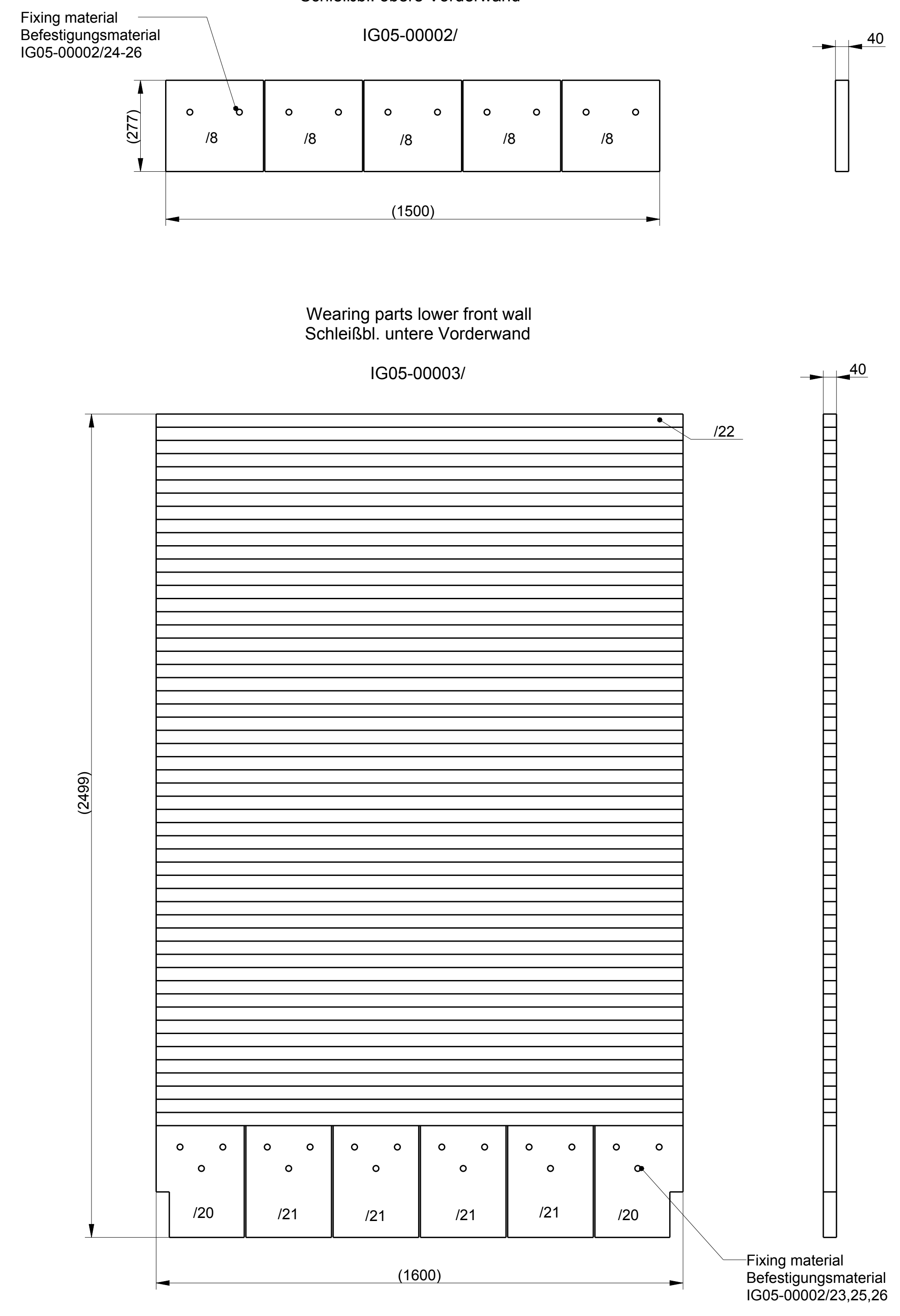
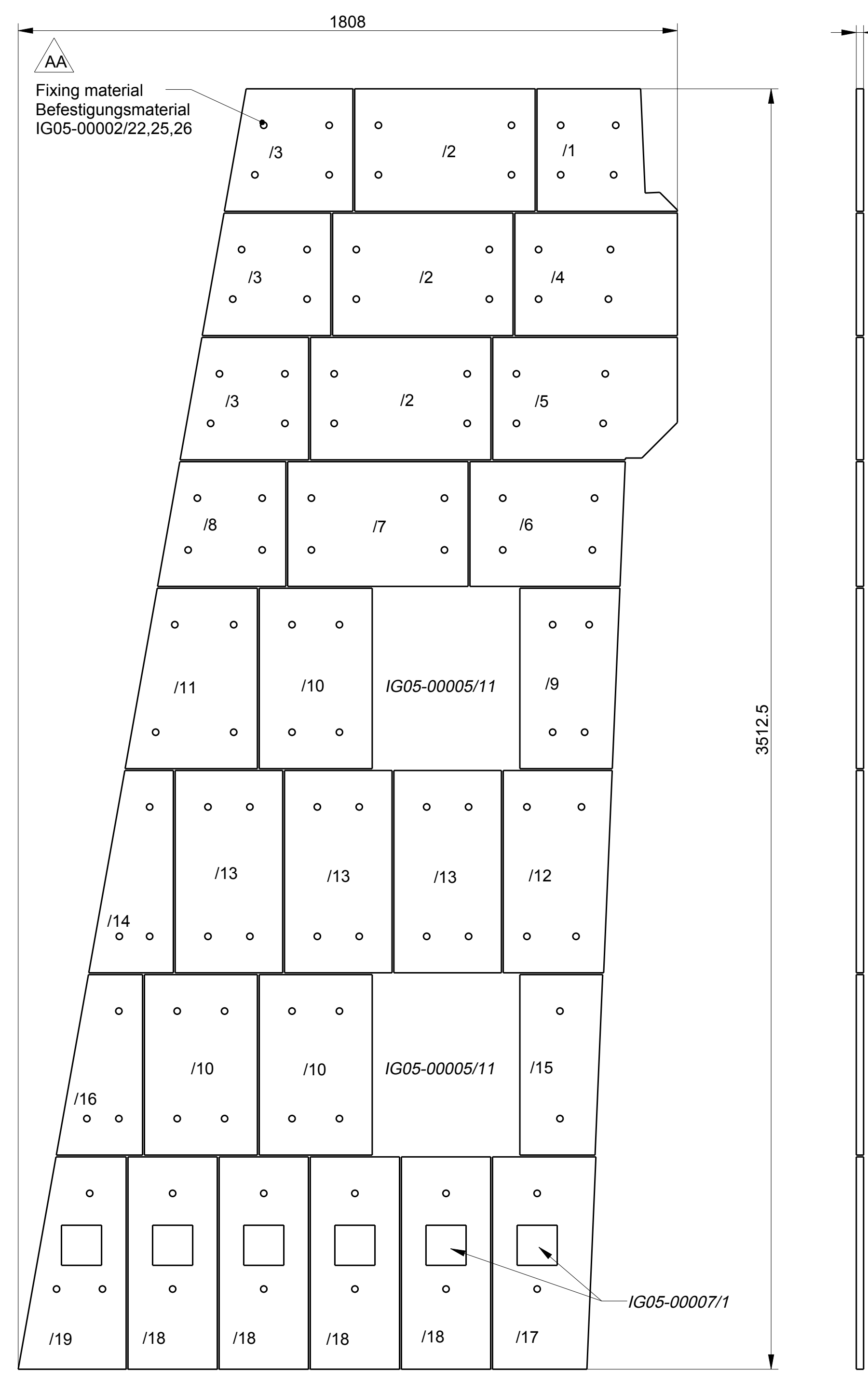


Wearing parts right side wall
Schleißbleche rechte Seitenwand
1:10

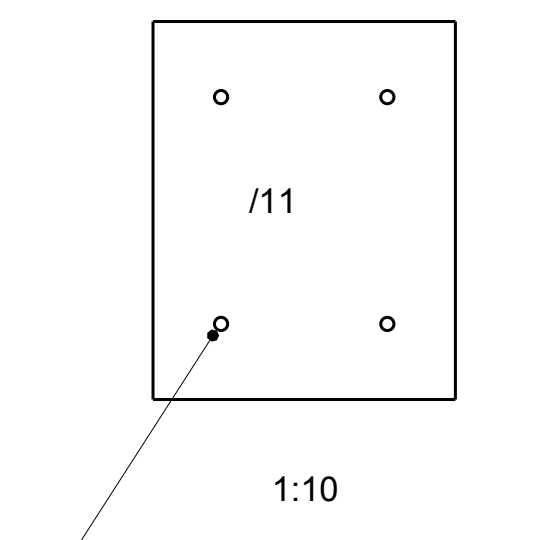
Wearing parts left side wall
Schleißbleche linke Seitenwand
1:10

Wearing parts upper front wall
Schleißbl. obere Vorderwand

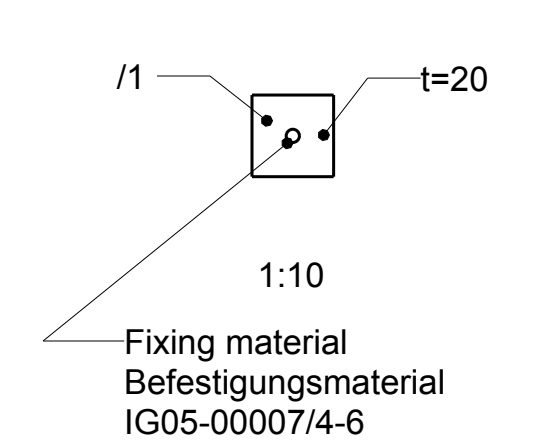
Wearing parts lower front wall
Schleißbl. untere Vorderwand



Wearing plate for access door
Schleißblech zur Einsteigtür
IG05-00005



Wearing plate for the cap
Schleißblech zur Verschlussklappe
IG05-00007

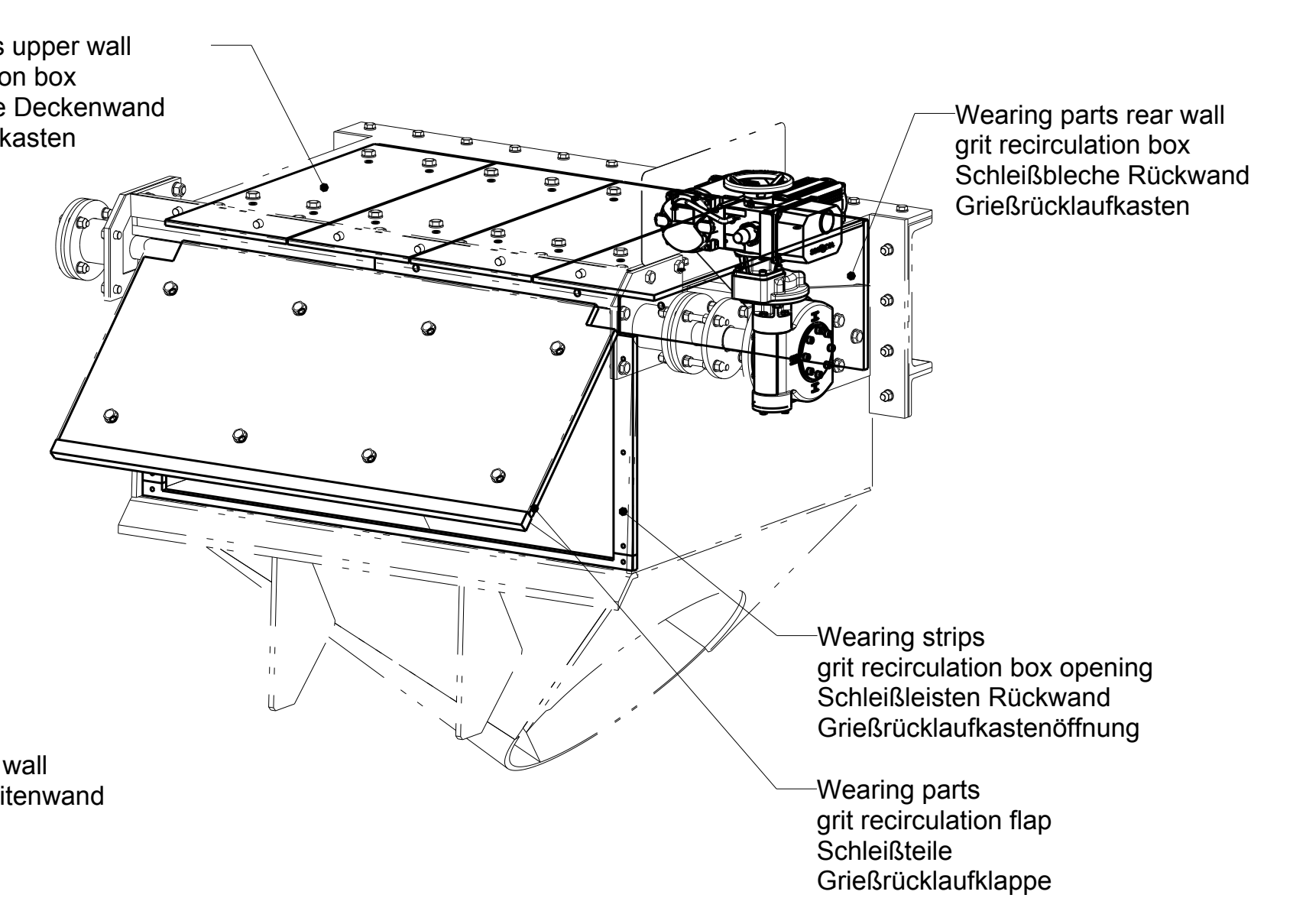
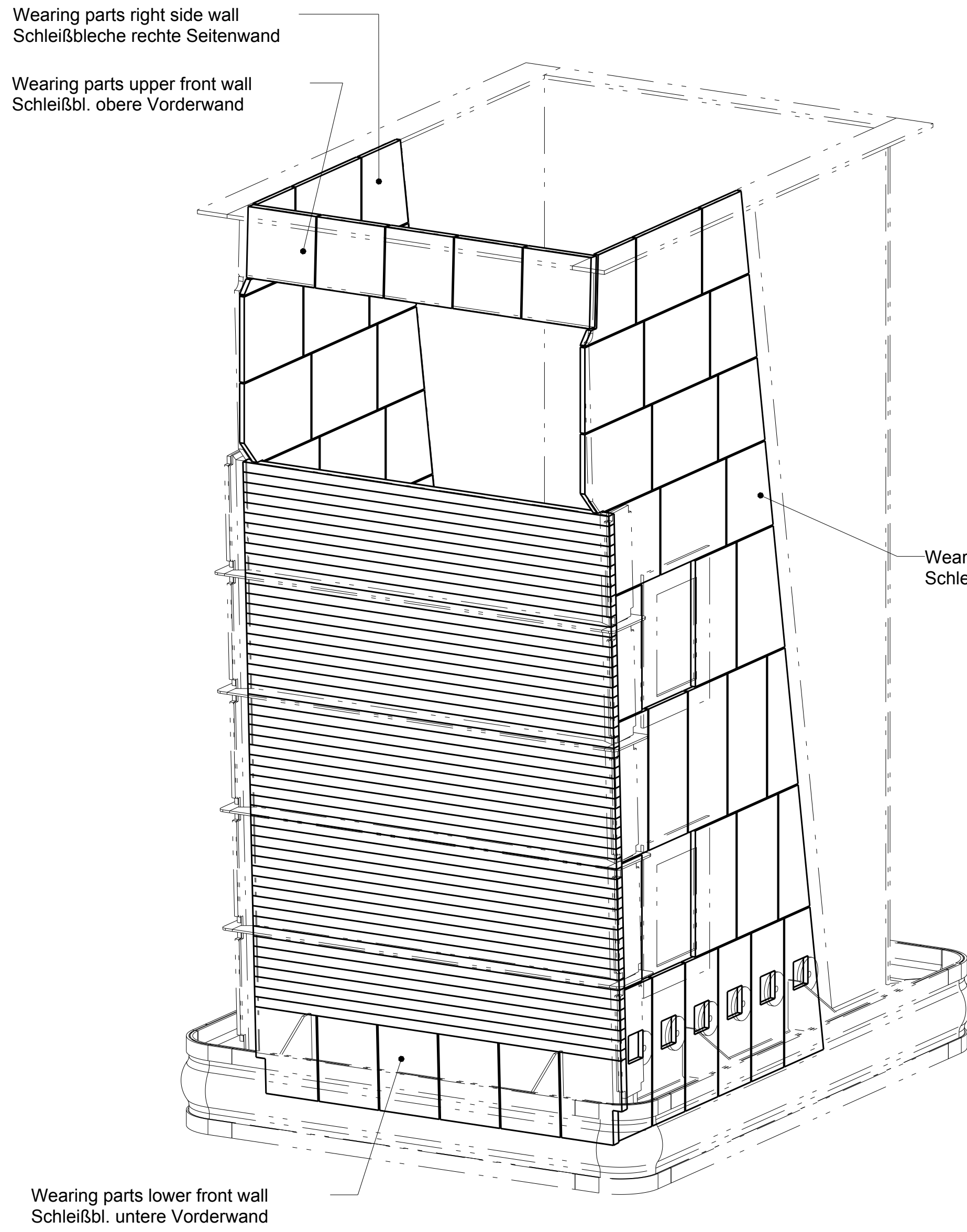


Isometric view housing

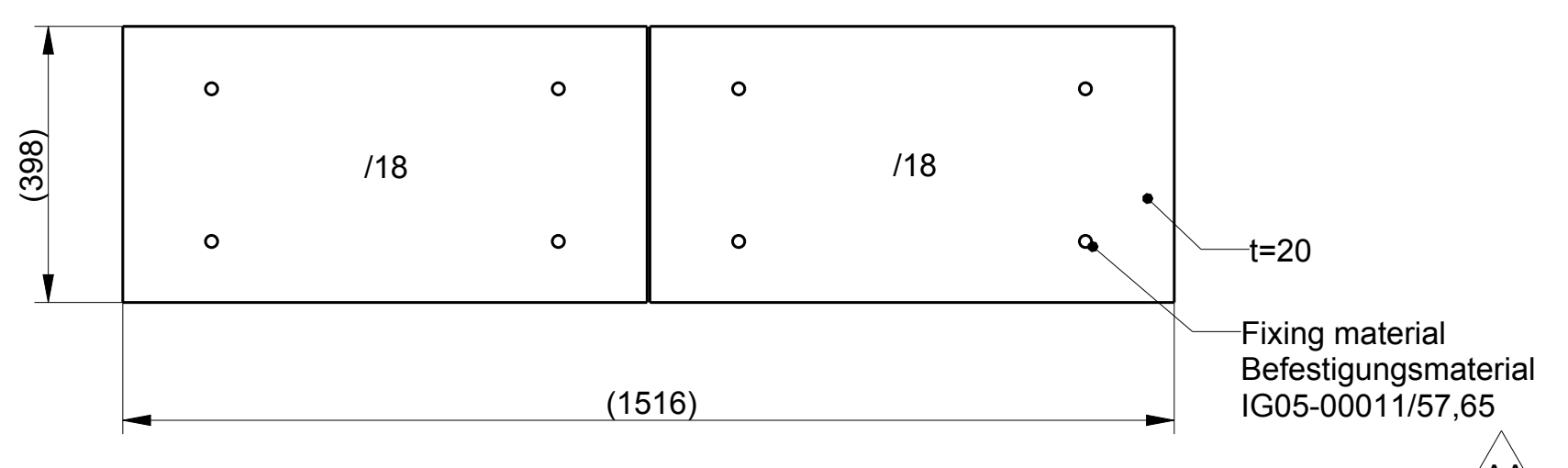
Isometric view grit recirculation

1:15

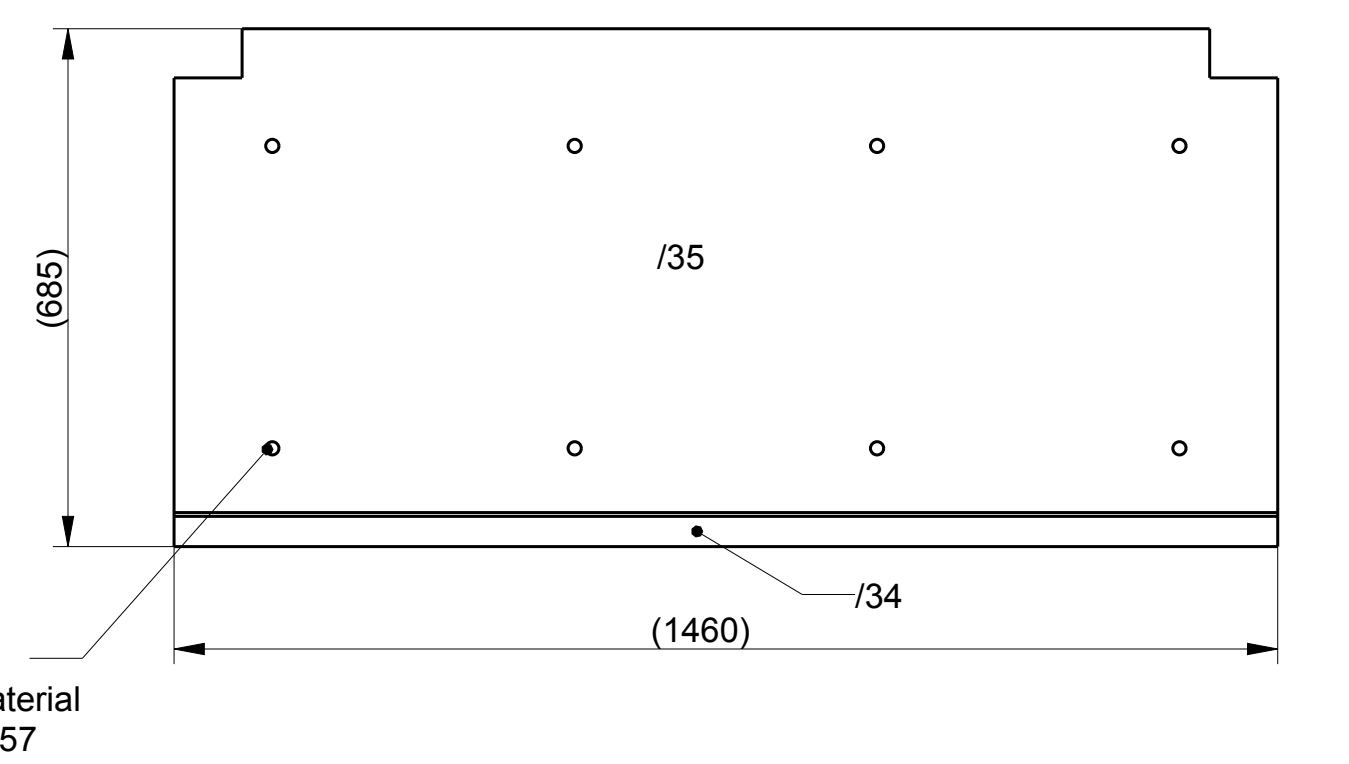
1:15



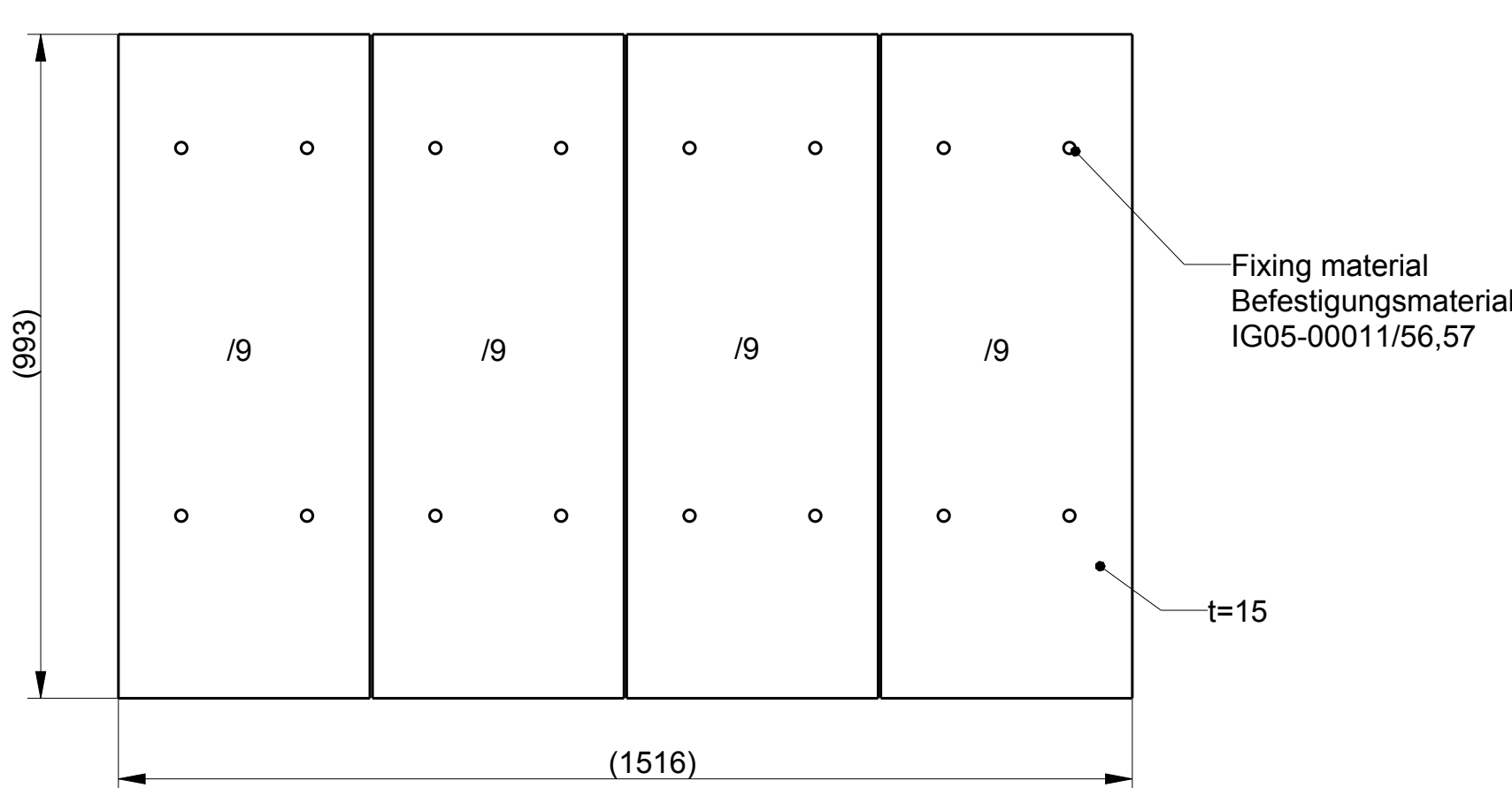
Wearing parts rear wall grit recirculation box
Schleißbleche Rückwand Griefrücklaufkasten
IG05-00011/



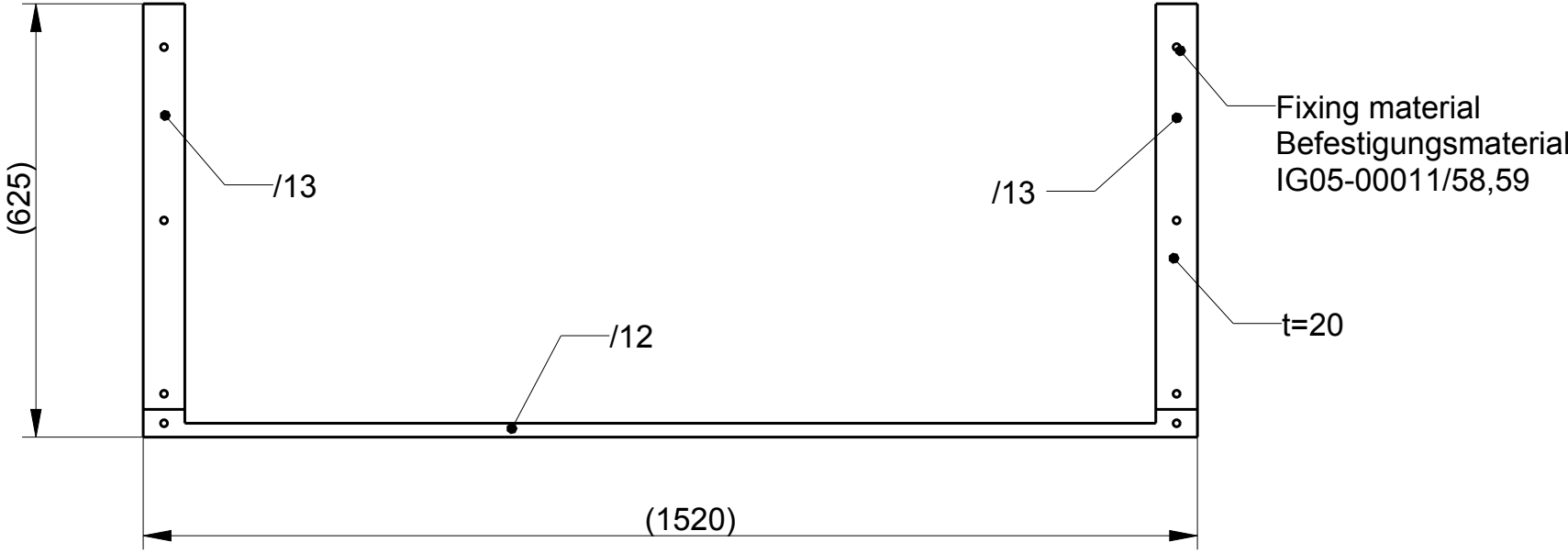
Wearing parts grit recirculation flap
Schleißteile Griefrücklaufklappe
IG05-00011/



Wearing parts upper wall grit recirculation box
Schleißbleche Deckenwand Griefrücklaufkasten
IG05-00011/



Wearing strips grit recirculation box opening
Schleißleisten Rückwand Griefrücklaufkastenöffnung
IG05-00011/



AB

Right hand construction as drawn
Left hand construction mirror inverted

Non marked parts are equal for right and left turning mills
Marked parts (R/L) are shown for right turning mills, parts for left turning mills are mirror inverted.

REV. NO.	DATE	DESCRIPTION	DESIGNED	CHECKED	APPROV.
AB	06.08.2016	Text added			
AA	04.12.2017	Part list for left-right side wall and grit rec. box rear wall corr.			
00	13.11.2017	First issue			

PTOLEMAIS UNIT V
660 MW POWER PLANT
CONTRACT DMKT - 11 09
5052

TERNA S.A.

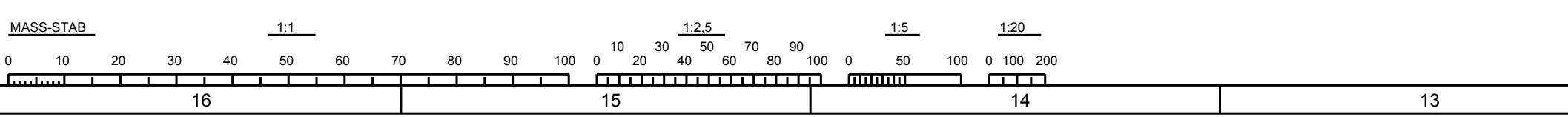
85 MESOGEION AVE., 115 26 ATHENS, GREECE
Tel.: +30 210 69 68 000, Fax: +30 210 69 68 099
e-mail: terna@terna.gr

MITSUBISHI HITACHI POWER SYSTEMS EUROPE

TITLE: DGS 180
Wearing parts for the housing after mill
Schleißteile zum Gehäuse nach Mühle

SCALE	DRAWING NO.	SHEET	REV. NO.
1:1	4311-M-D33-ID16-00002	01 of 01	AB

THIS DRAWING SHALL NOT BE REPRODUCED, TRANSMITTED NOR REVISED WITHOUT OUR PRIOR WRITTEN APPROVAL.
IT SHALL NOT BE MADE AVAILABLE TO THIRD PARTIES ANY AND ALL RIGHTS IN ACCORDANCE WITH THE GERMAN LAW
ON COPYRIGHT (URRG) AND GERMAN ACT AGAINST UNFAIR PRACTICES (URNG) SHALL REMAIN UNAFFECTED.



B(S)/P - Code:
XX
Baugruppe - Assembly
Stückliste - Part list
Pos.-Nr. - Item-No.

BG Ass. 330
Format A0