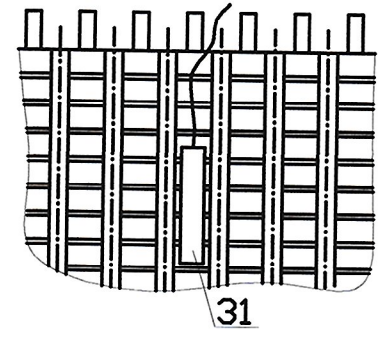


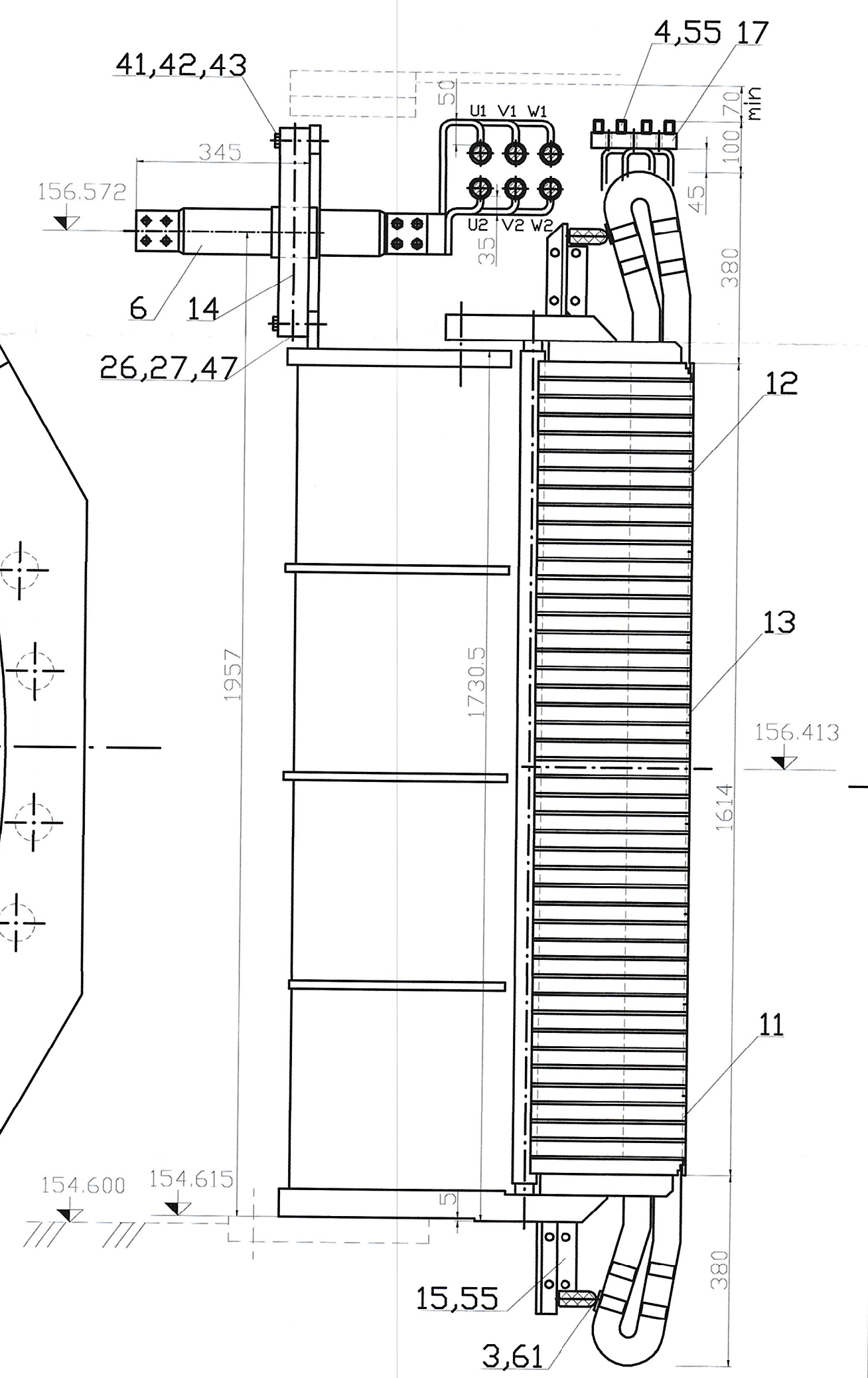
D(1:10)
Flux sensor position



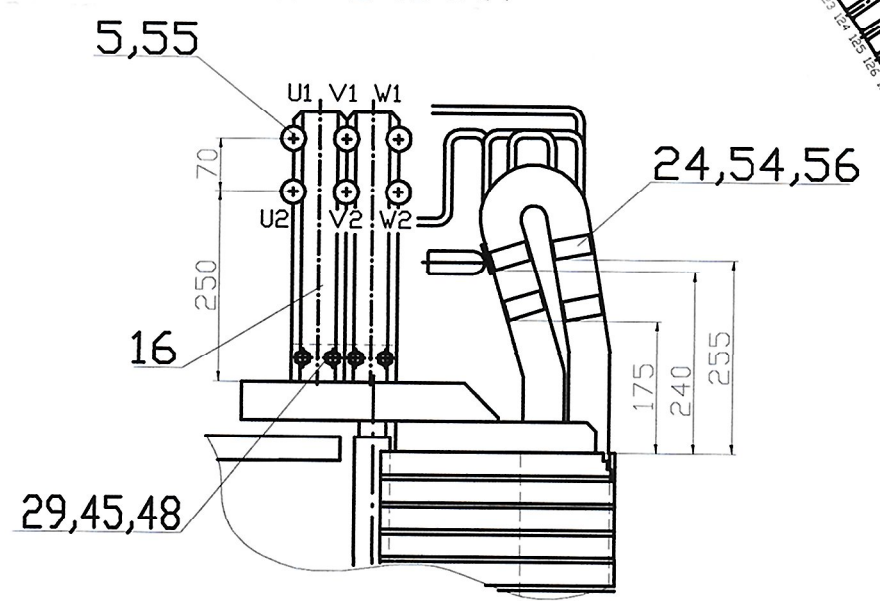
STATOR
top view

Direction of rotation

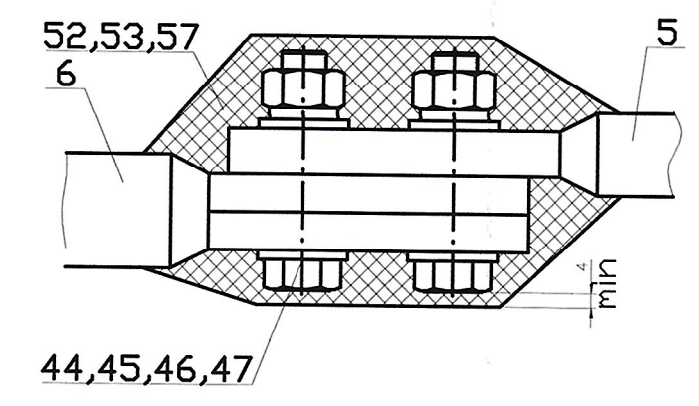
A-A(1:10)



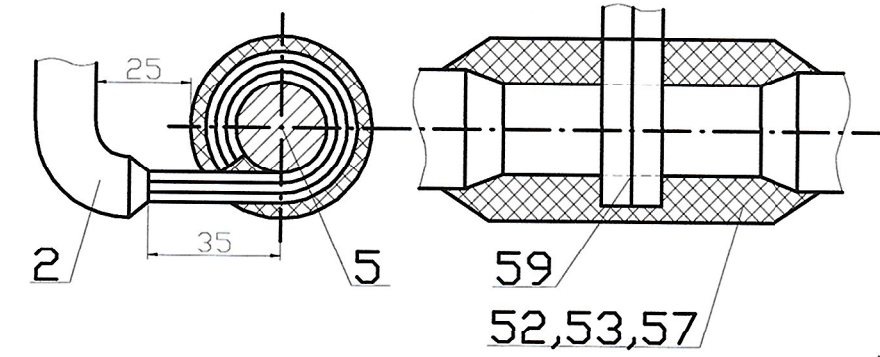
B-B(1:10)



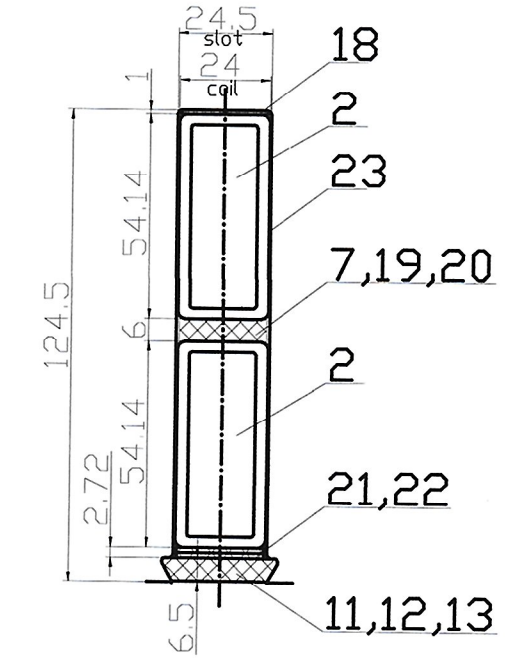
Connection of terminal bars
to the collector rings (1:2)



Connection of coils
to the collector rings (1:2)



Slot
cross-section
(1:2)



Имя, № на лист, Подпись и дата / Имя, № на лист, Подпись и дата / Имя, № на лист, Подпись и дата

Cor.	No	Doc.	Sign	Date
Drawn	Stiptsov			VI.2020
Checked	Grigorov			VI.2020
T.Cont.				
N.Cont.				
Appr.	Grigorov			VI.2020

HPP Platanovrissi		Scale	Mass		As Built
		1:20	- kg		
		Page			
		1/2	STATOR		
CERB EAD		24075.50.00			